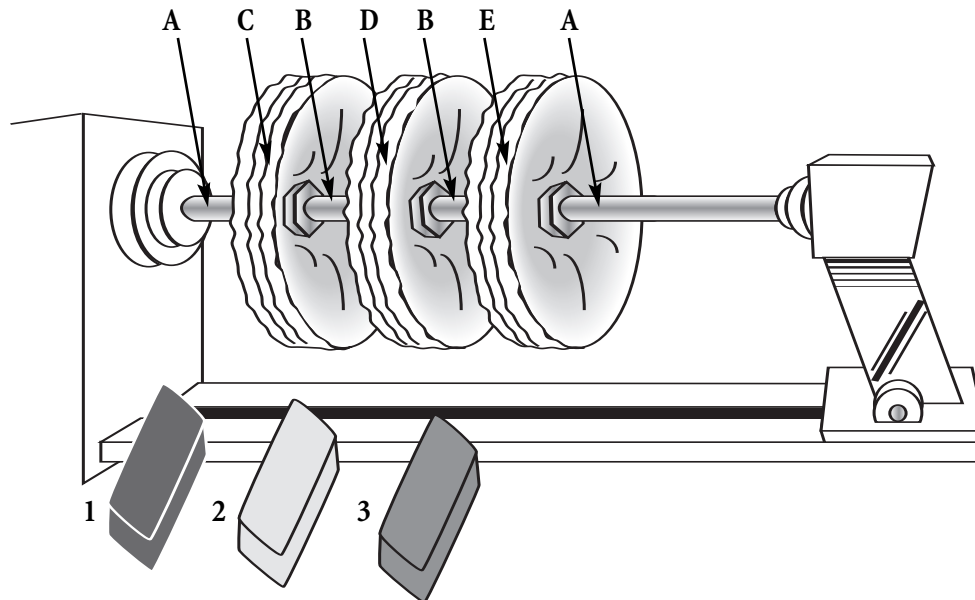


3 Step Lathe Buffing System



Using this method of finishing will yield an exceptional degree of high gloss to your wooden projects.

NOTE: Only use this system on lathes with #2 Morse Taper and a minimum of 1/2 HP motor.

Only use a heavy duty 60 degree trail stock live center for support.

THE SYSTEM CONSISTS OF:

A.) Mounting rod (mandrel) with a #2 Morse Taper mount for the headstock and a center hole for mating with the tail stock live center.

B.) Spacer sleeves and hardware.

3 x 8" Cloth buffing wheels 3 x Buffing compound bars:

C.) Linen

1.) Tripoli

D.) Linen/Flannel

2.) White Diamond

E.) Flannel

3.) Carnuba Wax

MOUNTING THE SYSTEM

Each wheel is stamped for component identification.

Mount the rod (A) into the headstock of the lathe.

Mount the wheels in the order of usage. 1.) Tripoli, 2.) White Diamond & 3.) Carnuba Wax.

Insert the spacer sleeves in between the wheels. Tighten the locking nut with moderate pressure. Lock in place with a heavy-duty live center in the tailstock.

USING THE SYSTEM

Finish your wooden project by sanding to the finest abrasive grit possible.

Apply a liberal amount of Danish oil; rub into the wood. Be sure not to let the oil drip, and harden. Wipe off excess and let dry.

Turn the lathe on with the speed up to about 3,000 rpm.

Apply the proper compound bar to the correct wheel until the fabric is loaded.

Hold the wood tight in your hands. Engage the Tripoli wheel with light pressure. DO NOT push the wood deep into the wheel.

Turn the project around while buffing until the wood is well covered with compound and dry to the touch.

Repeat buffing on the White Diamond wheel.

Conclude with the Carnuba Wax on the third wheel. The project is ready to show.

