

1-800-533-9298 ♦ mlcswoodworking.com



Router Bits and Professional Woodworking Products

HEAVYWEIGHT ROUTER TABLE (Item #9460)

INSTRUCTION MANUAL



This manual may not be copied or reproduced in any way without the express written consent of MLCS Woodworking.



TABLE OF CONTENTS

SECTION 1: HEALTH WARNING AND SAFETY.....	3
SECTION 2: INTRODUCTION.....	7
SECTION 3: CIRCUIT REQUIREMENTS.....	8
SECTION 4: MACHINE FEATURES AND SPECIFICATIONS... 	9
SECTION 5: SET-UP.....	11
Small Parts Listing.....	11
Cleanup.....	12
Site Consideration.....	12
Assembly.....	13
Cross Supports.....	14
Stand.....	15
Table Lifting Struts.....	17
Fence.....	18
Fence Hold-Downs.....	19
Switch.....	20
Mounting The Router.....	20
Dust Port Hook-Up.....	21
SECTION 6: OPERATIONS.....	22
SECTION 7: REFERENCE INFORMATION.....	24
SECTION 8: WARRANTY AND RETURN PROCEDURES.....	25
SECTION 9: EXPLODED DIAGRAM AND PARTS LIST.....	26

This manual may not be copied or reproduced in any way without the express written consent of MLCS Woodworking.



SECTION 1: HEALTH WARNING AND SAFETY

HEALTH WARNING

Sanding, sawing, routing, drilling, and other activities may create airborne dust particles containing chemicals known to cause cancer, birth defects, and other health complications. For example: lead from paints, crystalline silica in masonry products like brick and cement, arsenic and chromium from treated lumber.

Level of risk varies depending on frequency of exposure. To help mitigate detrimental effects, always work in an area with adequate ventilation using approved safety equipment, such as dust masks specifically rated to filter out microscopic particles.

SAFETY PRECAUTIONS WHEN WORKING WITH POWER TOOLS

- Make sure all guards are properly positioned and working correctly.
- Be sure that all adjusting wrenches and keys have been removed prior to turning on your machine.
- Maintain a clean work area. Clutter can lead to unsafe conditions and accidents.
- Only use power tools in a safe environment. Never operate in damp conditions or in unventilated areas where noxious or flammable fumes may collect. Always work in a well-lighted area.
- All visitors and children should be kept away from the work area.
- Childproof your work area using locks, master switches, remove starter keys, and other devices.
- Don't force a tool beyond its capabilities. Use a tool for the job in which it was designed and do not exceed the proper rate of use.
- Wear proper clothing. NEVER wear dangling or loose clothing, necklaces, bracelets, neckties, or other articles that could be caught in moving parts. Likewise, cover long hair. Non-slip footwear also increases safety.

This manual may not be copied or reproduced in any way without the express written consent of MLCS Woodworking.



- Wear safety glasses and face or dust mask. Remember: eyeglasses do NOT provide the same protection as safety glasses.
- Extension Cord Safety: Extension cord should be in good condition and meet the minimum wire gauge requirements listed below:

AMP RATING	LENGTH		
	25ft	50ft	100ft
0-6	16	16	16
7-10	16	16	14
11-12	16	16	14
13-16	14	12	12
17-20	12	12	10
21-30	10	10	No

WIRE GAUGE

- An undersized cord decreases line voltage, causing loss of power and overheating. All cords should use a ground wire and plug pin. Replace any damaged cords immediately.
- Secure Your Work. When possible, use a clamp or a vise for added safety. This keeps both hands free to operate your tool more securely.
- Never Over-Reach. Proper footing and balance must be kept at all times to avoid a dangerous fall.
- Keep Your Tools Well-Cared For. Tools that are kept sharp and clean work best and safest. Lubricate tools and change out accessories as instructed by the tool manual.
- Use Approved Accessories Only. Using accessories other than those recommended in the Owner's Manual can cause damage and injury.
- Avoid Unintentional Starts. To reduce the risk of accidental starts, machinery should ALWAYS be unplugged prior to making adjustments or performing service. Verify that the switch is in the OFF position before reconnecting the power.
- Inspect Damaged Parts. Any damaged parts must be thoroughly inspected before continued use to ensure proper functioning. Pay close attention to alignment and binding of moving parts, breakage, mounting and other potentially problematic conditions. Promptly repair and replace any damaged parts.

This manual may not be copied or reproduced in any way without the express written consent of MLCS Woodworking.



- Shut Off Your Tool Before Leaving. A running tool should NEVER be left unattended. Wait for the machine to come to a COMPLETE stop before leaving.
- Stay Alert! Machinery should not be used without full mental alertness. For example, never use machinery while tired or under the influence of drugs or alcohol.
- If you have a problem, stop using the tool immediately and contact service for further instructions.

SAFETY INSTRUCTIONS FOR ROUTER TABLE USE

- **Keep your hands safe.** Do not place hands in front of or over the cutter. As your hand moves toward the cutter, you should arc it away toward the out feed side and then place it back behind the cutter.
- **Use Long Enough Stock to Keep Hands from Blades.** Special jigs or fixtures, such as a Safety Small Parts Holder, should always be used when routing stock less than 12 inches. If you can, rout stock before cutting and then cut to size.
- Keep the cutters below the workpiece whenever practical for added safety.
- **Check Rotation First.** Whenever you adjust your set-up, remove the machine from the power supply and rotate the collet by hand to ensure that the cutters can spin freely before starting the machine.
- If not using the full depth of the cutter be sure to keep any excess cutting height below the table surface.
- **Watch your depth of cut.** Removing too much material is dangerous and makes a rougher cut. Using multiple light passes enhances safety and improves the quality of the finished cut.
- **Stop when You Encounter Difficulty.** Any time you have a problem; you should stop work immediately and contact service or check with a qualified expert for additional instruction.
- **Choose the Right Safety Tools.** Often, push sticks are helpful safety devices. However, they can also be dangerous. If a push stick touches a cutter on the end grain, it can be forcefully ejected from your hand, causing possible serious injury. Fixtures, jigs, and hold-downs are often better options. Always use a guard or protective device of some sort.

This manual may not be copied or reproduced in any way without the express written consent of MLCS Woodworking.



- **Feed AGAINST** the rotation of the cutter at all times.
- **ALLERGY WARNING:** Certain types of wood can cause allergic reactions. Be aware of possible reactions and use a respirator to minimize exposure to dust particles.
- You **MUST** read and fully understand the manual and operating guide for the router to be used prior to working with it.
- **NEVER reach below the table while the router is running or plugged in.**

!!WARNING!!

To avoid serious personal injury, please read this manual thoroughly and become very familiar with its contents, including all safety precautions.

!!WARNING!!

In addition to these guidelines, additional precautions should be taken specific to your own shop environment. Always use caution and common sense when operating machinery to avoid the risk of serious injury.

This manual may not be copied or reproduced in any way without the express written consent of MLCS Woodworking.



SECTION 2: INTRODUCTION

MLCS is pleased to provide you with our *Item #9460 Heavyweight Router Table*, one of our ever-expanding lines of quality woodworking products and machines. The Table will provide a long-life of trouble-free, easy operation when the guidelines in this manual are followed. We're confident that this table will serve as proof of MLCS's dedication to customer satisfaction and product quality.

This comprehensive manual was included to clearly cover the process of assembly, general safety precautions, and general operating procedures. Please let us know if you have any questions or comments regarding this documentation via the following methods:

- 1) Mail to:
MLCS Ltd.
PO Box 165
Huntingdon Valley, PA 19006
- 2) Phone 1-215-938-5060
- 3) E-mail sawdust@mlcswoodworking.com

MLCS products are always guaranteed. For any service needs, warranty issues, or parts requests, please contact us via one of the following methods:

- 1) Mail to:
MLCS Ltd.
PO Box 165
Huntingdon Valley, PA 19006
- 2) Phone 1-215-938-5060
- 3) E-mail sawdust@mlcswoodworking.com

Every effort is made to ensure that this manual and all its specifications, drawings, and product diagrams are complete and correct at the time of publication. However, as we continually modify and improve our products to better serve our customers, changes may be made from time to time with no obligation from MLCS.

This manual may not be copied or reproduced in any way without the express written consent of MLCS Woodworking.



SECTION 3: CIRCUIT REQUIREMENTS

!!WARNING!!

Improper wiring can cause a fire. Check that all system components (wiring, receptacle, plug, and circuit breaker) are adequate for the power demands of your machinery. If you cannot be certain, contact a qualified electrician for a review of your system and any necessary upgrades. You should never replace a circuit breaker with one rated for a higher amperage than other components of the circuit are designed for.

This machine's Power Switch can be used with 2-prong double-insulated plugs or 3-prong grounding plugs. The handy switch allows convenient and safe router control as you can switch the power on and off from the front of the table without reaching under the table. You can also power additional devices with the router turned on.

The power switch should be plugged into a properly grounded wall outlet.

This manual may not be copied or reproduced in any way without the express written consent of MLCS Woodworking.



SECTION 4: MACHINE FEATURES AND SPECIFICATIONS

FEATURES

- Accepts any brand of portable router from 3/4HP to 3-1/2HP.
- Table top can be tilted 45 degrees to make router bit adjustments.
- Precision split aluminum fence.
- 4" diameter dust hood.
- Key switch prevents unauthorized operation.
- Miter gauge with safety T-bar is supplied as a standard accessory.
- Hold-down is supplied as a standard accessory.

SPECIFICATIONS

Suitable Portable Routers	3/4HP to 3-1/4HP
Main Table Surface	26-7/8" x 20-3/8"
Table Tilts	45 degrees
Table Inserts	2 pcs accept 1-3/8" guide template
Table Height	33-7/8"
Fence Sizes (each side)	10-5/8" x 1-31/32"
Dust Hood Outlet	4"OD
Net Weight	115lbs
Gross Weight	123 lbs
Packing Dimensions	33-1/2" x 25-1/2" x 8-3/8"

This manual may not be copied or reproduced in any way without the express written consent of MLCS Woodworking.

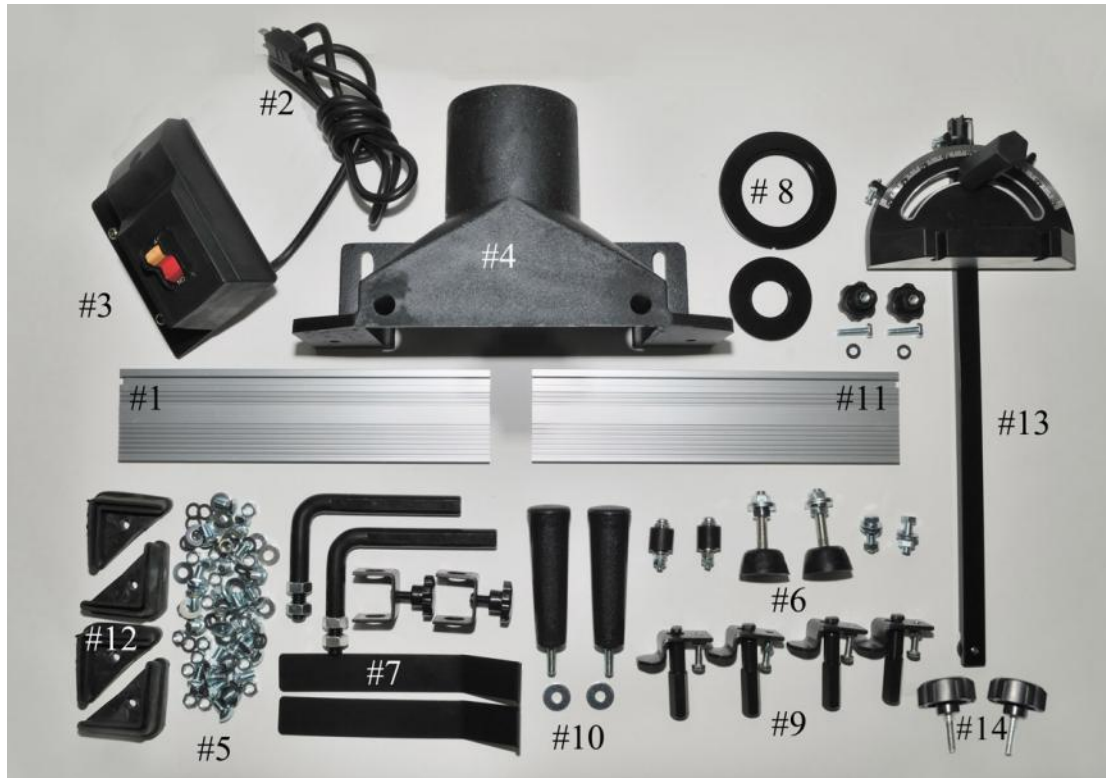


See pages 26 to 29 for the exploded diagram and parts list.



This manual may not be copied or reproduced in any way without the express written consent of MLCS Woodworking.

SECTION 5: SET-UP



SMALL PARTS LISTING

#1, Left Fence Face Bolt & Knob (1)	
#2, Power Cord (1)	Rubber Bumpers (2)
#3, Switch Box (1)	10mm Flat washers (4)
#4, Dust Hood Set (1)	10mm Hex nuts (4)
#5, Screw Package For Stand	#7, Fence Hold Downs (2)
8mm Carriage bolts (28)	#8, Table Inserts (2)
8mm Flat washers (28)	#9, Router Clamping Assemblies (6)
8mm Hex nuts (28)	#10, Fence Handles (2)
#6, Screw Package For Table	#11, Right Fence Face (1)
8mm x 25mm hex head bolts (2)	#12, Rubber Feet (4)
8mm Flat washers (4)	#13, Miter Gauge
8mm Hex nuts (2)	#14, Table Locking Knobs (2)

 This manual may not be copied or reproduced in any way without the express written consent of MLCS Woodworking.



CLEAN UP

A wax or oil coating may be used on some metal components to prevent rust during shipping. Any such coating should be cleaned and removed with solvent cleaner or a citrus degreasing agent. You may need to disassemble/remove some parts for thorough cleaning. To ensure the best performance of your machine, all moving parts and sliding contact surfaces must be thoroughly cleaned.

!!WARNING!!

Gas and petroleum-based products are prone to explosion due to their low flash point. NEVER use these products for cleaning your machinery.

!!WARNING!!

Solvents are flammable. To avoid the risk of explosion, fire, and/or injury, NEVER smoke while using these products.

!!WARNING!!

Working in an area with inadequate ventilation can cause dangerous fumes to build up, increasing the risk of explosion, fire, and risks to personal health. ALWAYS work in a well-ventilated area.

SITE CONSIDERATIONS

Weight Support: MLCS item #9460 weighs a sturdy 115lbs. Most shop floors should handle this weight. However, if you have doubts, you should test and reinforce the floor prior to installation.

Safe Clearance: Always arrange your shop to allow adequate distance between machine and obstacles for safe operation. Carefully consider your machinery needs, the potential size of your work pieces, and additional space needed for other stands and worktables. The arrangement of each machine relative to other equipment should be carefully planned to allow most efficient handling of materials.

Proper Lighting/Electrical Coverage: Proper lighting should be bright enough to avoid eyestrain and eliminate shadows. Position electrical outlets or arrange machinery so that power cords and extension cords are not placed in high-traffic areas. Always follow local codes when installing new electrical components.

This manual may not be copied or reproduced in any way without the express written consent of MLCS Woodworking.



ASSEMBLY

Please follow these steps **IN ORDER** to assemble your machine. Then please read the remainder of the manual completely **BEFORE** you begin operation of your new machine.

SAFETY IS THE HIGHEST PRIORITY! Please observe these warnings during the assembly process:

!!WARNING!!

Serious injury may occur if long hair or loose clothing is caught in moving parts of machinery. Always roll up loose clothing and tie up long hair to keep it safely away from your machinery.

!!WARNING!!

Machinery should **ALWAYS** be unplugged during all assembly operations or serious personal injury could result.

!!WARNING!!

Items expelled from the machine can cause eye injury. Wear appropriate safety glasses during assembly.

!!WARNING!!

Metal parts may have sharp edges that can cause injury. Please inspect all metal edges and handle carefully.

This manual may not be copied or reproduced in any way without the express written consent of MLCS Woodworking.

CROSS SUPPORTS

Components:

Table Assembly (Quantity 1)
Upper Front Brace (Quantity 1)
Upper Side Brace (Quantity 2)
Rubber Bumpers (Quantity 2)
Hex Bolts 8mm x 25mm (Quantity 2)
Flat Washers 8mm (Quantity 8)
Hex Nuts 8mm (Quantity 4)
Flat Washers 10mm (Quantity 4)
Hex Nuts 10mm (Quantity 4)

Tools needed: 12mm & 14mm Wrenches or 12mm Wrench and 14mm Socket

Assembly:

1. Put the table assembly face down on the floor, on top of a piece of cardboard or blanket to protect the top from getting damaged.
2. Align the upper side braces and the upper front brace on the table assembly matching the bolt holes as shown in Figure A. When assembling these parts, make sure to have the welded nut on the inside of the upper side brace toward the rear of the table as it will match up with the hole in the table frame for the table locking knob to secure the table in a closed position.

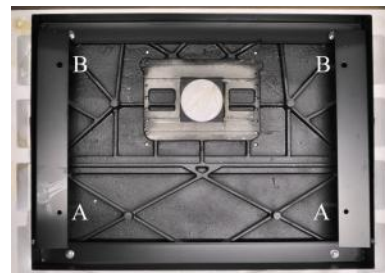


Figure A

3. Use 2 hex bolts, 4 flat washers, and 2 hex bolts to connect the upper side braces and upper front brace to the table frame through bolt hole "A" position. Place 1 flat washer on each side of the assembly, with the braces and table frame sandwiched between the two flat washers.

This manual may not be copied or reproduced in any way without the express written consent of MLCS Woodworking.



4. Use the threaded rubber bumpers, 4 flat washers, and 2 hex nuts to attach the upper side braces to the table frame through bolt hole "B" position. Remove one hex nut and 1 flat washer from the threaded rubber bumper. With the rubber head of the bumper facing the bottom of the table, insert the threaded part through the holes in the table frame and the upper side braces. Replace the flat washer that was removed earlier and secure with the hex nut that was also removed earlier. The height of the rubber bumper can be adjusted by moving the hex nuts up or down the threaded part of the rubber bumper, thereby leveling the table top.

STAND

Components:

Stand Legs (Quantity 4)
45-degree Diagonal Support Brace (Quantity 2)
Front Lower Brace (Quantity 1)
Rear Lower Brace (Quantity 1)
Side Brace (Quantity 2)
Intermediate Strut Side Brace (Quantity 2)
Carriage Bolts 8mm (Quantity 28)
Flat Washers 8mm (Quantity 28)
Hex Nuts 8mm (Quantity 28)

Tools Needed: 14 mm Wrench or Socket

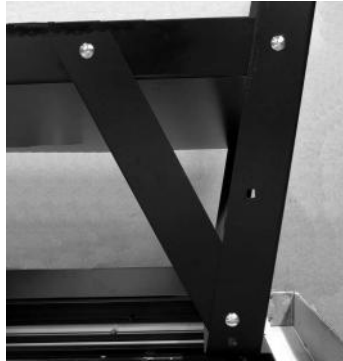
Assembly:

1. Use 12 carriage bolts, 12 flat washers and 12 hex nuts to attach the stand legs to the upper front and upper side braces. At this time only finger tighten the hex nuts as you may need to maneuver the parts during assembly.
2. Use 8 carriage bolts, 8 flat washers and 8 hex nuts to attach the lower front, rear and side braces to the legs. The lower brace is the one with the two additional intermediate holes in it. At this time, only finger tighten the hex nuts, as you may need to maneuver the parts during assembly.

This manual may not be copied or reproduced in any way without the express written consent of MLCS Woodworking.



3. Use 4 carriage bolts, 4 flat washers and 4 hex nuts to attach the intermediate strut side braces to the legs. The strut mounting hole should be toward the front of the table.
4. Use 4 carriage bolts, 4 flat washers and 4 hex nuts to connect the 45-degree support braces to the back side of the tray and stand legs.



5. Use the proper tools to tighten all hex nuts to secure the stand together.
6. Place the rubber feet on the bottom of the legs.
7. With the help of a second person, Carefully turn the table right side up so it sits firmly on the rubber feet.
8. Remove the protective paper from the cast iron table surface. Use a solvent cleaner or degreaser to remove the coating from the cast iron table surface. Follow the directions on the label of the cleaner and allow for proper ventilation when using any solvents. Use caution to avoid getting any of the cleaner on the painted parts of the table and stand as this may cause the paint to be removed. Properly dispose of any soiled rags as some solvents pose a flammable risk.

This manual may not be copied or reproduced in any way without the express written consent of MLCS Woodworking.

TABLE LIFTING STRUTS

Components:

Hydraulic Struts (Quantity 2)
 Hex Bolts 8mm x 25mm (Quantity 4)
 Flat Washers 8mm (Quantity 16)
 Nylock Nuts 8mm (Quantity 4)
 Table Locking Knobs (Quantity 2)
 Lifting Handles (Quantity 2)
 Allen Head Screws 6mm x 25mm

Tools needed: 1/2" Wrench (2), 4mm Allen Wrench

Assembly:

- Slide a flat washer on the hex bolt. Insert the hex bolt through the eye on the chromed end of the hydraulic strut.
- Place three more flat washers on the bolt and pass the bolt threads through the hole in the table frame.
- From the inside of the frame, secure the strut to the table top frame using the nylock nut. Do not completely tighten the nylock nut as the strut will need to be able to pivot when the top is raised or lowered.
- Repeat this same operation for the other end of the hydraulic strut (barrel end), only pass the bolt through the intermediate side strut brace.
- Repeat for the other side of the table.
- The struts will allow the table to stay up at a 45-degree angle. Use the two table lock knobs to secure the table down in a working position. The two table pull down handles can be attached to the back edge of the table to aid in holding the table down while the table lock knobs are tightened.

Top of Strut attached to Table



Bottom of Strut attached to Stand

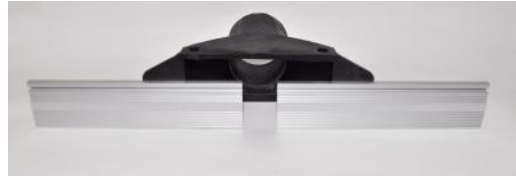


This manual may not be copied or reproduced in any way without the express written consent of MLCS Woodworking.

FENCE

Components:

Fence Half (Quantity 2)
Sliding Screw 6mm x 25mm (Quantity 2)
Star Knob 6mm (Quantity 2)
Dust Hood (Quantity 1)



Assembly:

1. Slide the head of the sliding screw into the t-slot on the back of the fence face (smooth side, slot in middle of the fence).
2. Insert the sliding screw through the hole in the dust hood. Secure the fence face to the hood using the female star knob.

Installing:

3. After assembling the fence/dust hood, mount the assembly onto the table.
4. Lock the fence assembly onto the table by tightening the two lock handles at one of the various mounting positions for the bit you are using.



This manual may not be copied or reproduced in any way without the express written consent of MLCS Woodworking.

FENCE HOLD-DOWNS

Components:

Hold-Down Assemblies (Quantity 2)

Tools Needed: 19mm Wrench

Assembly:

1. Take one hex bolt off each L-bar.
2. Attach the L-bar to the fence assembly by inserting the threads on the L-bar through the dust hood's mounting holes. Then use the previously removed hex nut to secure the L-bar in place from underneath the dust hood.



3. Tighten the hex nuts until the brackets are secured perpendicular to the fence faces.
4. Place the hold down holder onto the L-bar. Orient the hold down holder so the threaded star knob so it will contact the L-bar on the flattened surface.
5. Slide the hold down through the hold down holder. The bend in the hold down should be oriented toward the table surface and to the left.
6. Tighten the threaded star knob to lock the hold-down in position. Exact placement is not essential at this point in the process.



This manual may not be copied or reproduced in any way without the express written consent of MLCS Woodworking.

SWITCH

Components Needed:

Switch Box (Quantity 1)

Tools Needed: Phillips Head Screwdriver, Adjustable Wrench

Assembly:

1. Use the Phillips head screws, flat washers, and hex nuts to attach the power box to the front right leg using the appropriate through holes in the stand leg.



MOUNTING THE ROUTER

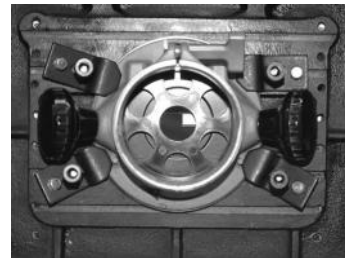
Components Needed:

Router Clamps (Quantity 4)

Tools needed: 10mm Wrench, 14mm Wrench

Assembly:

1. Raise the table and lock the braces in place on both sides, using the positioning pieces. Be sure the lock tabs have been firmly positioned on the screws in the table positioners.
2. Insert at least 4 router clamps into the T-slots underneath the table.



This manual may not be copied or reproduced in any way without the express written consent of MLCS Woodworking.

3. Loosen the clamps so that the base of your router can press flat against the table bottom. Be certain that the router collet is centered in the table opening.
4. Firmly attach the router base to the table by tightening the thickness bolts and jam nuts on each of the 4-router clamps.
5. Tighten the clamps to firmly hold the router in position.



DUST PORT HOOK-UP

Never use this table without appropriate dust collection. Be sure to connect the dust port to a vacuum or dust collector system.

This manual may not be copied or reproduced in any way without the express written consent of MLCS Woodworking.



SECTION 6: OPERATIONS

BEFORE ROUTING

STAY SAFE: Please observe all the following warnings during operation of your table.

ROUTING ON YOUR TABLE

!!WARNING!!

ALWAYS wear safety glasses, respirator, and hearing protection when using this machine. Otherwise, damage to lungs, ears, and eyes could result.

!!WARNING!!

Serious injury may occur if long hair or loose clothing is caught in moving parts of machinery. Always roll up loose clothing and tie up long hair to keep it safely away from your machinery.

!!WARNING!!

Avoid serious injury by familiarizing yourself with this entire manual prior to using your item #9460 Heavyweight Router Table.

There are 2 basic routing operations that can be performed on your table:
Groove Cutting, and Profile Routing.

Groove Cutting makes a groove or dado in the face of a board.

1. Insert a router bit into your router per the instructions for your router and bit.
2. Insert the round table insert into the recessed hole in the table. Choose the smallest insert opening that does not interfere with the bit movement. Raise the router bit to the desired height.
3. Reposition the fence so that the router bit is the desired distance away from the router fence.

This manual may not be copied or reproduced in any way without the express written consent of MLCS Woodworking.



Profile Cutting typically uses a bit with a ball bearing. The bearing follows along the uncut edge, controlling the depth of cut, while the cutter removes wood from the edge face of a board.

1. Insert a router bit into your router per the instructions for your router and bit.
2. Insert the round table insert into the recessed hole in the table. Choose the smallest insert opening that does not interfere with the bit movement.
3. Raise the router bit to the desired height.
4. Adjust the fence opening width to allow proper router bit clearance, but provide the proper support to safely make your cut.
5. Move the fence back just enough so the ball bearing can control the cut depth.
6. Move the fence back toward the bearing as close as possible to provide added support and safety.

This manual may not be copied or reproduced in any way without the express written consent of MLCS Woodworking.



SECTION 7: REFERENCE INFORMATION

For parts or assembly assistance, please contact our technical support department. They will be happy to assist. For comments and questions regarding this manual, our **MLCS** warranty and return policy, and any general assistance, please contact us via one of the following methods:

Phone: 1-215-938-5060

E-mail: sawdust@mlcswoodworking.com

Postal Mail: MLCS Ltd., PO Box 165, Huntingdon Valley, PA 19006

We have made every effort to detail all necessary safety guidelines for operating this equipment throughout this manual. Nonetheless, please keep in mind that every shop and situation is different and all these rules should be considered and applied with common sense given the specifics of your own situation.

This manual contains only basic guidelines and instructions for general, safe operation of this machine. To become a skilled and accomplished woodworker and fully realize the potential of this machine, you will need to avail yourself of additional resources. Trade journals, woodworking magazines, the local library, and community colleges can all be indispensable sources of guidance and knowledge.

This manual may not be copied or reproduced in any way without the express written consent of MLCS Woodworking.



SECTION 8: MLCS WARRANTY AND RETURN PROCEDURES

Every **MLCS** product has a 3-year Guarantee from the original date of purchase indicated on the invoice or packing list. Defects due (directly or indirectly) to misuse, abuse, negligence, accidents, repairs or alterations or lack of maintenance are expressly excluded from this warranty. This is **MLCS's** sole written warranty for this product. Any and all other warranties that may be implied by law are hereby limited to the duration of this written warranty. In no event shall **MLCS's** liability exceed the purchase price paid for this product and any resulting legal actions will be tried in the courts of Huntingdon Valley, PA, County of Montgomery.

MLCS shall in no way be held liable for death, injuries to persons or property or for incidental, contingent, special, or consequential damage arising from the use of our products.

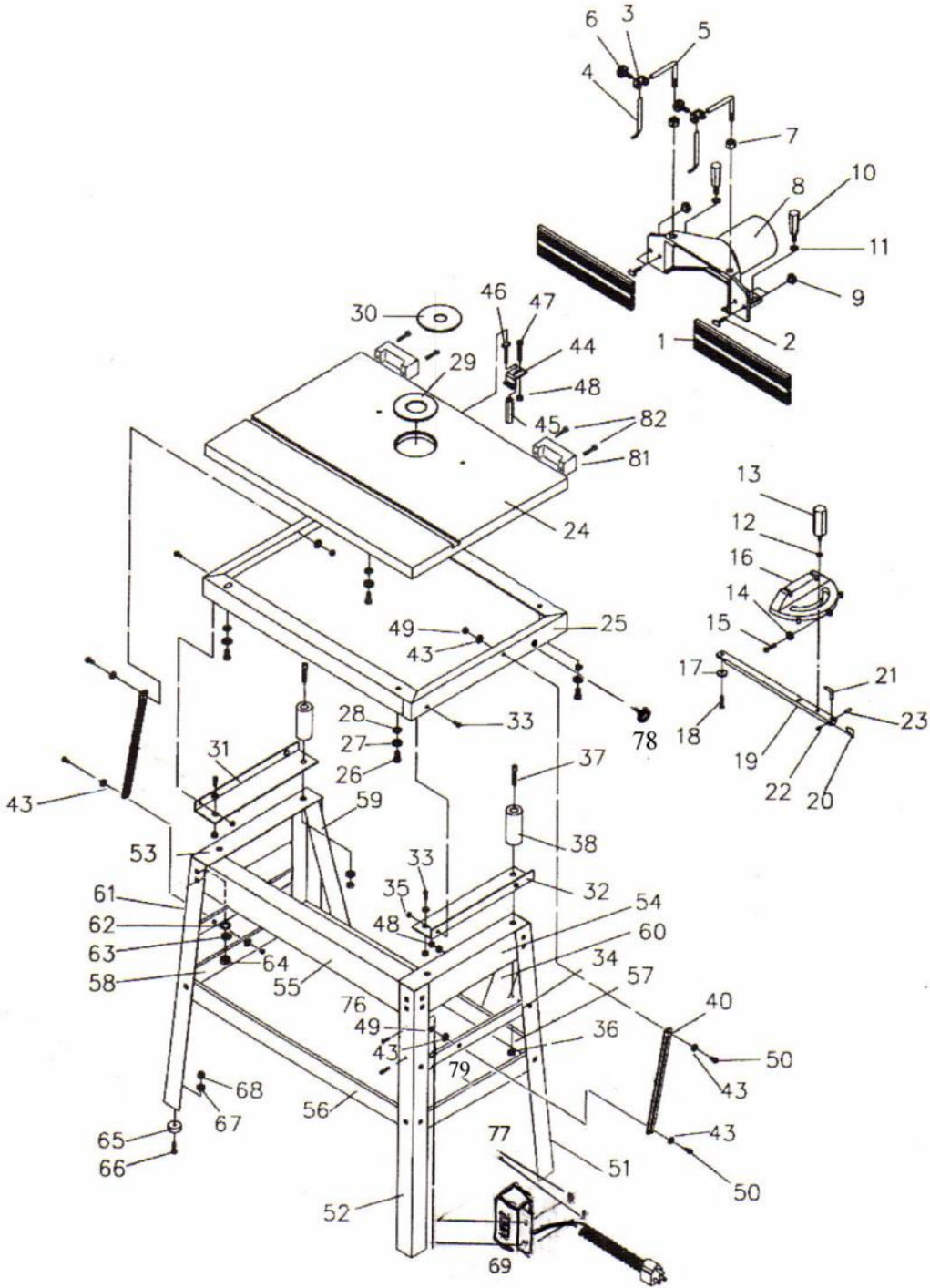
For warranty related service, please contact us by mail or by phone at 1-215-938-5060. Please be prepared to provide all purchase details, including name and address of purchaser, date of purchase, invoice number, and issues with the product so that we may properly assist you. Additional instructions will be provided at the time of contact for the most expedient resolution to your particular issues. Any items returned for refund or replacement should include proper proof of purchase, such as an invoice or packing list.

MLCS reserves the right to change the specifications of this product at any time as we strive to always improve the quality of our products based on continued research and development and customer feedback. It is our primary goal to ensure that our products are of high quality and durability and we sincerely hope you will never need to take advantage of this warranty.

Thank you again for your purchase and your support of **MLCS Woodworking** with your continued business. We look forward to serving you again in the near future and, for now; wish you happy and safe woodworking.

This manual may not be copied or reproduced in any way without the express written consent of MLCS Woodworking.

EXPLODED DIAGRAM



This manual may not be copied or reproduced in any way without the express written consent of MLCS Woodworking.



PARTS LIST

PART No.	REFERENCE No.	DESCRIPTION	QTY
1	50000111a	FENCE HALF	2
2	50000112	SLIDING SCREW 6mm x25mm	2
3	50000117	HOLD-DOWN MOUNT	2
4	50000118	HOLD-DOWN	2
5	50000119	LBAR	2
6	50000120	KNOB 8mm	2
7	S0110812	10mm HEX NUT	4
8	50300125	DUST HOOD	1
9	10505015	STAR KNOB 6mm	2
10	10104045t	HEAVY HANDLE	2
11	S0210501	FLAT WASHER 8mm	2
12	S0210400	FLAT WASHER 6mm	1
13	10104045	MITER GAUGE HANDLE	1
14	S0110100	HEX NUT 4mm	3
15	S0030108	CROSS SCREW 4mm	3
16	10104046	MITER GAUGE BODY	1
17	10104047	SLIDING BLOCK	1
18	S0040400	SCREW 6mm	1
19	101040481	GUIDE BAR	1
20	10104049	LOCATING PLATE	1
21	10104050	POINTER	1
22	S0050404	SET SCREW 6mm	1
23	S0310306	ROLL PIN 3mm*6mm	1
24	50300201	TABLE TOP 26-7/8"*20-3/8"	1
25	50300202	TABLE FRAME	1
26	S0020512	HEX BOLT 8mm x 19mm	4
27	S0230506	LOCK WASHER 8mm	4
28	S0210500	FLAT WASHER 8mm	4
29	50000217	TABLE INSERT (60mm)	1

This manual may not be copied or reproduced in any way without the express written consent of MLCS Woodworking.



PART No.	REFERENCE No.	DESCRIPTION	QTY
30	50000219	TABLE INSERT (29mm)	1
31	50300208	TABLE LEFT SUPPORT	1
32	50300209	TABLE RIGHT SUPPORT	1
33	S0020501	HEX BOLT 8mm x 25mm	4
34	S0210623	FLAT WASHER 8mm	10
35	S0120201	HEXNUT 8mm	2
36	S0110600	HEXNUT 10mm	4
37	50000307b	BUMPER	2
40		LIFTING STRUTS	2
43	S0210400	FLAT WASHER 6mm	10
44	50000220	MOTOR CLAMP PIECE	4
45	50000221	HEXAGONAL CLAMP PIECE	4
46	50000222	SLIDING SCREW	4
47	S0020425	HEX BOLT 6mm x 44mm	4
49	S0120200	NYLOCK HEX LOCK NUT 6mm	4
50	S0020412	HEX BOLT 6mm x 19mm	4
52		STAND LEGS	4
53	50300303L	UPPER LEFT ANGLE PLATE	1
54	50300303R	UPPER RIGHT ANGLE PLATE	1
55	50300304	FRONT UPPER BRACE	1
56	50300305	FRONT LOWER BRACE	1
57	50300306	REAR LOWER BRACE	1
58	50300307	LOWER SIDE BRACE	2
59	50000308	LEFT BRACKET	1

This manual may not be copied or reproduced in any way without the express written consent of MLCS Woodworking.



PART No.	REFERENCE No.	DESCRIPTION	QTY
60	50000306	RIGHT BRACKET	1
61	S0060509	CARRIAGE BOLT 8mm	28
62	S0210501	FLAT WASHER 8mm	28
64	S0110500	HEXNUT 8mm	28
65	10107098	RUBBER FEET	4
69		SWITCH BOX (PRE-ASSEMBLED)	1
76	S0030324	SCREW 5mm	2
77	S0110300	HEXNUT 5mm	2
78		LOCKING KNOBS 8mm x 32mm	2
81		TABLE LIFTING HANDLES	2
82		ALLEN HEAD MACHINE SCREWS	4

This manual may not be copied or reproduced in any way without the express written consent of MLCS Woodworking.