

8" Low Speed Bench Grinder



Operator's Manual

Record the serial number and date of purchase in your manual for future reference.

The serial number can be found on the specification label on your machine.

Serial Number: _____ Date of purchase: _____

For technical support or parts questions, email techsupport@rikontools.com or call toll free at (877)884-5167

TABLE OF CONTENTS

<u>SECTION</u>	<u>PAGE</u>
Safety Instructions.....	3-8
Electrical Safety.....	7-8
Specifications.....	8
Carton Contents.....	9
Overview.....	10
Assembly Instructions.....	11-12
Operating The Bench Grinder.....	13-15
Maintenance.....	15
Parts Diagram.....	16
Parts List.....	17
Troubleshooting.....	18
Warranty.....	19

NOTE: The specifications, photographs, drawings and information in this manual represent the current grinder model when the manual was prepared. Changes and improvements may be made at any time, with no obligation on the part of Rikon Power Tools to modify previously delivered units. Reasonable care has been taken to ensure that the information in this manual is correct, to provide you with the guidelines for the proper safety, assembly and operation of this machine.

This owner's manual is not a teaching aid and is intended to show assembly, adjustments, and general use.

**SAVE THESE INSTRUCTIONS.
Refer to them often.**

CALIFORNIA PROPOSITION 65 WARNING:



WARNING: Some dust created by power sanding, sawing, grinding, drilling, and other construction activities contains chemicals known to the State of California to cause cancer and birth defects or other reproductive harm. Your risk from exposure to these chemicals varies, depending on how often you do this type of work. To reduce your exposure, work in a well-ventilated area and with approved safety equipment, such as dust masks that are specially designed to filter out microscopic particles.

For more information go to www.P65Warnings.ca.gov/wood.

SAFETY INSTRUCTIONS

IMPORTANT! Safety is the single most important consideration in the operation of this equipment. The following instructions must be followed at all times. Failure to follow all instructions listed below may result in electric shock, fire, and/or serious personal injury.

There are certain applications for which this tool was designed. We strongly recommend that this tool not be modified and/or used for any other application other than that for which it was designed. If you have any questions about its application, do not use the tool until you have contacted us and we have advised you.

The purpose of safety symbols is to attract your attention to possible dangers. The safety symbols and the explanations with them deserve your careful attention and understanding. The symbol warnings do not, by themselves, eliminate any danger. The instructions and warnings they give are no substitutes for proper accident prevention measures.

⚠ WARNING: Be sure to read and understand all safety instructions in this manual, including all safety alert symbols such as “DANGER,” ”WARNING,” and “CAUTION” before using this tool. Failure to following all instructions listed below may result in electric shock, fire, and/or serious personal injury.

SYMBOL MEANING

⚠ SAFETY ALERT SYMBOL: Indicates DANGER, WARNING, OR CAUTION.
May be used in conjunction with other symbols or pictographs.

⚠ DANGER: Indicates an imminently hazardous situation, which, if not avoided, will result in death or serious injury.

⚠ WARNING: Indicates a potentially hazardous situation, which, if not avoided, could result in death or serious injury.

⚠ CAUTION: Indicates a potentially hazardous situation, which, if not avoided, could result in minor or moderate injury.

NOTICE: (Without Safety Alert Symbol) Indicates a situation that may result in property damage.



THIS SYMBOL DESIGNATES THAT THIS TOOL IS LISTED BY THE CSA GROUP TESTING SERVICES, TO UNITED STATES AND CANADIAN STANDARDS

SAFETY INSTRUCTIONS

GENERAL SAFETY

Operating a Bench Grinder can be dangerous if safety and common sense are ignored. The operator must be familiar with the operation of the tool. Read this manual to understand this Bench Grinder. **DO NOT** operate this Bench Grinder if you do not fully understand the limitations of this tool. **DO NOT** modify this Bench Grinder in any way.

BEFORE USING GRINDER

WARNING:

To avoid serious injury and damage to the tool, read and follow all of the Safety and Operating Instructions before operating the Bench Grinder.

WARNING:

1. Some dust created by using power tools contains chemicals known to the State of California to cause cancer, birth defects, or other reproductive harm.

Some examples of these chemicals are:

- Lead from lead-based paints.
- Crystalline silica from bricks, cement, and other masonry products.
- Arsenic and chromium from chemically treated lumber.

Your risk from these exposures varies, depending on how often you do this type of work. To reduce your exposure to these chemicals: work in a well ventilated area and work with approved safety equipment, such as those dust masks that are specially designed to filter out microscopic particles.

2. **READ** the entire Owner's Manual. **LEARN** how to use the tool for its intended applications.

3. **GROUND ALL TOOLS.** If the tool is supplied with a 3-prong plug, it must be plugged into a 3-contact electrical receptacle. The 3rd prong is used to ground the tool and provide protection against accidental electric shock. **DO NOT** remove the 3rd prong. See Grounding Instructions on page 7.

4. **AVOID A DANGEROUS WORKING ENVIRONMENT.** **DO NOT** use electrical tools in a damp environment or expose them to rain.

5. **DO NOT** use electrical tools in the presence of flammable liquids or gasses.

6. **ALWAYS** keep the work area clean, well lit, and organized. **DO NOT** work in an environment with floor surfaces that are slippery from debris, grease, and wax.

7. **KEEP VISITORS AND CHILDREN AWAY.** **DO NOT** permit people to be in the immediate work area, especially when the electrical tool is operating.

8. **DO NOT FORCE THE TOOL** to perform an operation for which it was not designed. It will do a safer and higher quality job by only performing operations for which the tool was intended.

9. **WEAR PROPER CLOTHING.** **DO NOT** wear loose clothing, gloves, neckties, or jewelry. These items can get caught in the machine during operations and pull the operator into the moving parts. The user must wear a protective cover on their hair, if the hair is long, to prevent it from contacting any moving parts.

10. **CHILDPROOF THE WORKSHOP AREA** by removing switch keys, unplugging tools from the electrical receptacles, and using padlocks.

11. **ALWAYS UNPLUG THE TOOL FROM THE ELECTRICAL RECEPTACLE** when making adjustments, changing parts or performing any maintenance.

12. **KEEP PROTECTIVE GUARDS IN PLACE AND IN WORKING ORDER.**

13. **AVOID ACCIDENTAL STARTING.** Make sure that the power switch is in the "OFF" position before plugging in the power cord to the electrical receptacle.

SAFETY INSTRUCTIONS

14. REMOVE ALL MAINTENANCE TOOLS from the immediate area prior to turning "ON" the Bench Grinder.

15. USE ONLY RECOMMENDED ACCESSORIES. Use of incorrect or improper accessories could cause serious injury to the operator and cause damage to the tool. If in doubt, check the instruction manual that comes with that particular accessory.

16. NEVER LEAVE A RUNNING TOOL UNATTENDED. Turn the power switch to the "OFF" position. **DO NOT** leave the tool until it has come to a complete stop.

17. DO NOT STAND ON A TOOL. Serious injury could result if the tool tips over, or you accidentally contact the tool.

18. DO NOT store anything above or near the tool where anyone might try to stand on the tool to reach it.

19. MAINTAIN YOUR BALANCE. DO NOT extend yourself over the tool. Wear oil resistant rubber soled shoes. Keep floor clear of debris, grease, and wax.

20. MAINTAIN TOOLS WITH CARE. Always keep tools clean and in good working order. Keep all blades and tool bits sharp, dress grinding wheels and change other abrasive accessories when worn.

21. EACH AND EVERY TIME, CHECK FOR DAMAGED PARTS PRIOR TO USING THE TOOL. Carefully check all guards to see that they operate properly, are not damaged, and perform their intended functions. Check for alignment, binding or breaking of moving parts. A guard or other part that is damaged should be immediately repaired or replaced.

22. DO NOT OPERATE TOOL WHILE TIRED, OR UNDER THE INFLUENCE OF DRUGS, MEDICATION OR ALCOHOL.

23. SECURE ALL WORK. Use clamps or jigs to secure the work piece. This is safer than attempting to hold the work piece with your hands.

24. STAY ALERT, WATCH WHAT YOU ARE DOING, AND USE COMMON SENSE WHEN OPERATING A POWER TOOL.

A moment of inattention while operating power tools may result in serious personal injury.

25. ALWAYS WEAR A DUST MASK TO PREVENT INHALING DANGEROUS DUST OR AIRBORNE PARTICLES, including wood dust, crystalline silica dust and asbestos dust.

Direct particles away from face and body.

Always operate tool in well ventilated area and provide for proper dust removal.

Use dust collection system wherever possible. Exposure to the dust may cause serious and permanent respiratory or other injury, including silicosis (a serious lung disease), cancer, and death.

Avoid breathing the dust, and avoid prolonged contact with dust. Allowing dust to get into your mouth or eyes, or lay on your skin may promote absorption of harmful material.

Always use properly fitting NIOSH/OSHA approved respiratory protection appropriate for the dust exposure, and wash exposed areas with soap and water.

26. USE A PROPER EXTENSION CORD IN GOOD CONDITION. When using an extension cord, be sure to use one heavy enough to carry the current your product will draw.

The table on page 8 shows the correct size to use depending on cord length and nameplate amperage rating. If in doubt, use the next heavier gauge. The smaller the gauge number, the larger diameter of the extension cord. If in doubt of the proper size of an extension cord, use a shorter and thicker cord. An undersized cord will cause a drop in line voltage resulting in a loss of power and overheating.

USE ONLY A 3-WIRE EXTENSION CORD THAT HAS A 3-PRONG GROUNDING PLUG AND A 3-POLE RECEPTACLE THAT ACCEPTS THE TOOL'S PLUG.

SAFETY INSTRUCTIONS

SPECIFIC SAFETY INSTRUCTIONS FOR BENCH GRINDERS

The operation of any grinder or power tool can result in debris being thrown into your eyes, which can result in severe and permanent eye damage. **ALWAYS WEAR EYE PROTECTION.** Everyday eyeglasses are **NOT** safety glasses. **ALWAYS** wear Safety Goggles (that comply with ANSI standard Z87.1) when operating power tools.

Basic precautions should always be followed when using your bench grinder. To reduce the risk of injury, electrical shock, or fire, comply with the safety rules listed below:

- 1. ALWAYS USE THE EYE SHIELDS AND WHEEL GUARDS** provided with the grinder.
- 2. REPLACE A CRACKED OR DAMAGED GRINDING WHEEL IMMEDIATELY.** A damaged wheel can discharge debris at a high velocity towards the operator. Carefully handle the grinding wheels since they are abrasive. Prior to replacing a grinding wheel, check it for cracks. **DO NOT** remove the blotter or label on both sides of the grinding wheel. Tighten the spindle nut just enough to hold the grinding wheel firmly to the Bench Grinder. **DO NOT** over-tighten the nut. Excessive clamping force can damage the grinding wheel. Only use the wheel flanges provided with the grinder. When selecting a replacement grinding wheel use only properly sized wheels, and verify that the grinding wheel has a higher R.P.M. rating than the maximum R.P.M. of the Bench Grinder.
- 3. THE DIAMETER OF THE GRINDING WHEELS WILL DECREASE WITH USE.** Adjust the tool rests and spark arrestors to maintain a distance of 1/16" from the wheel.
- 4. DO NOT STAND IN FRONT OF THE BENCH GRINDER WHEN STARTING IT.** Stand to one side of the Bench Grinder and turn it "ON". Wait at the side for one minute until the grinder comes up to full speed. There is always a possibility that debris from a damaged grinding wheel may be discharged towards the operator.
- 5. THE BENCH GRINDER WILL PRODUCE SPARKS AND DEBRIS DURING GRINDING OPERATIONS.** Be sure that there are not any flammable materials in the vicinity. Frequently clean grinding dust from the back of the Bench Grinder.
- 6. NEVER FORCE THE WORK PIECE AGAINST A GRINDING WHEEL,** especially if the wheel is cold. Apply the work piece slowly, allowing the grinding wheel an opportunity to warm up. This will minimize the chance of wheel breakage. **DO NOT** grind using the sides of the grinding wheels. **DO NOT** apply coolant directly to the grinding wheel.
- 7. KEEP ALL WHEEL GUARDS IN PLACE. DO NOT USE THE BENCH GRINDER WITH THE WHEEL GUARDS REMOVED.**
- 8. KEEP THE TOOL RESTS FIRMLY IN PLACE AND TIGHTENED.** Use them to safely position your material for grinding.
- 9. ALWAYS USE THE SUPPLIED WHEEL DRESSER TO RESURFACE THE FACE OF THE GRINDING WHEEL.**
- 10. DRESS THE GRINDING WHEEL OFTEN.** This will keep the wheel surface flat and free of nicks and residue/glaze.
- 11. REMOVE ADJUSTING KEYS AND WRENCHES.** Form habit of checking to see that keys and adjusting wrenches are removed from grinder before turning it on.
- 12. ALLOW THE GRINDER TO ATTAIN FULL SPEED BEFORE BEGINNING WORK.**
- 13. NEVER STOP THE GRINDER BY FORCING MATERIAL INTO THE WHEEL.** Let the grinder stop rotating on its own.
- 14. SECURE THE BENCH GRINDER** to a stand or workbench to prevent sliding or tipping during use. See page 12.
- 15. FREQUENTLY** clean grinding dust from inside of the guards and beneath the grinder.
- 16. NEVER GRIND SMALL STOCK** without it being properly supported on the tool rests, and held by pliers or clamps.

SAFETY INSTRUCTIONS

17. **DO NOT FORCE THE TOOL** to perform an operation for which it was not designed. It will do a safer and higher quality job by only performing operations for which the tool was intended.

18. **ADDITIONAL INFORMATION** regarding the safe and proper operation of this product is available from:

- Power Tool Institute
1300 Summer Avenue
Cleveland, OH 44115-2851
www.powertoolinstitute.org
- National Safety Council
1121 Spring Lake Drive
Itasca, IL 60143-3201
www.nsc.org
- American National Standards Institute
25 West 43rd Street, 4th Floor
New York, NY 10036
www.ansi.org
- ANSI O1.1 Safety Requirements for Woodworking Machines and the U.S. Department of Labor regulations
www.osha.gov

19. **SAVE THESE INSTRUCTIONS.** Refer to them frequently and use them to instruct others.

ELECTRICAL SAFETY

WARNING:

THIS TOOL MUST BE GROUNDED WHILE IN USE TO PROTECT THE OPERATOR FROM ELECTRIC SHOCK.

IN THE EVENT OF A MALFUNCTION OR BREAKDOWN, grounding provides the path of least resistance for electric current and reduces the risk of electric shock. This tool is equipped with an electric cord that has an equipment grounding conductor and a grounding plug. The plug **MUST** be plugged into a matching electrical receptacle that is properly installed and grounded in accordance with **ALL** local codes and ordinances.

DO NOT MODIFY THE PLUG PROVIDED.

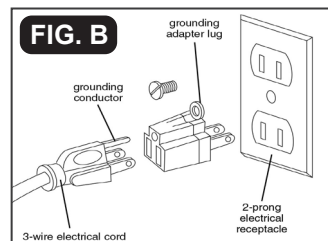
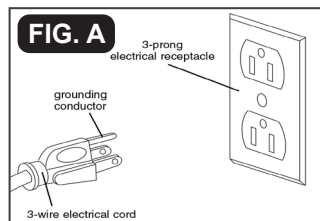
If it will not fit the electrical receptacle, have the proper electrical receptacle installed by a qualified electrician.

IMPROPER ELECTRICAL CONNECTION of the equipment grounding conductor can result in risk of electric shock. The conductor with the green insulation (with or without yellow stripes) is the equipment grounding conductor. **DO NOT** connect the equipment grounding conductor to a live terminal if repair or replacement of the electric cord or plug is necessary.

CHECK with a qualified electrician or service personnel if you do not completely understand the grounding instructions, or if you are not sure the tool is properly grounded.

USE ONLY A 3-WIRE EXTENSION CORD THAT HAS A 3-PRONG GROUNDING PLUG AND A 3-POLE RECEPTACLE THAT ACCEPTS THE TOOL'S PLUG. REPLACE A DAMAGED OR WORN CORD IMMEDIATELY.

This tool is intended for use on a circuit that has an electrical receptacle as shown in **FIGURE A**. **FIGURE A** shows a 3-wire electrical plug and electrical receptacle that has a grounding conductor. If a properly grounded electrical receptacle is not available, an adapter as shown in **FIGURE B** can be used to temporarily connect this plug to a 2-contact ungrounded receptacle. The adapter has a rigid lug extending from it that **MUST** be connected to a permanent earth ground, such as a properly grounded receptacle box. **THIS ADAPTER IS PROHIBITED IN CANADA.**



SAFETY INSTRUCTIONS

EXTENSION CORDS

⚠ WARNING: Keep the extension cord clear of the working area. Position the cord so that it will not get caught on lumber, tools or other obstructions while you are working with a power tool.

⚠ WARNING: Check extension cords before each use. If damaged replace immediately. Never use a tool with a damaged cord, since touching the damaged area could cause electrical shock, resulting in serious injury.

Use a proper extension cord. Only use cords listed by Underwriters Laboratories (UL). Other extension cords can cause a drop in line voltage, resulting in a loss of power and overheating of tool. When operating a power tool outdoors, use an outdoor extension cord marked "W-A" or "W". These cords are rated for outdoor use and reduce the risk of electric shock.

MINIMUM RECOMMENDED GAUGE FOR EXTENSION CORDS (AWG)				
120 VOLT OPERATION ONLY				
	25' LONG	50' LONG	100' LONG	150' LONG
0 to 6 Amps	18 AWG	16 AWG	16 AWG	14 AWG
6 to 10 Amps	18 AWG	16 AWG	14 AWG	12 AWG
10 to 12 Amps	16 AWG	16 AWG	14 AWG	12 AWG

SPECIFICATIONS

MOTOR POWER1/2HP, 120V, 3A, 60Hz, 1Ph, Induction
 MOTOR RPM (no load) 1750 RPM
 MOTOR ARBOR 5/8"
 ARBOR THREADING M16LH / M16RH
 GRINDING WHEEL SIZE 8" Dia. x 1" Wide, 5/8" Bore
 GRINDING WHEEL GRITS (2) 60 Grit and 120 Grit
 TOOL RESTS (LxW) 2-3/4" x 1-11/16"
 EYE SHIELDS Clear Plastic
 SPARK ARRESTORS Left and Right
 ON/OFF SWITCH Toggle and Safety Lock
 POWER CORD 6 Feet
 WEIGHT GW 37.5 lbs. / NW 34.2 lbs.
 GRINDER BASE (LxW) 7-5/8" x 5-1/2"
 MOUNTING HOLES (2) 7/16" Dia., 6-5/16" Apart
 OVERALL SIZE Approx. (LxWxH)16-3/8" x 10-3/4" x 11-1/4"

NOTE: The specifications, photographs, drawings and information in this manual represent the current grinder model when the manual was prepared. Changes and improvements may be made at any time, with no obligation on the part of Rikon Power Tools to modify previously delivered units. Reasonable care has been taken to ensure that the information in this manual is correct, to provide you with the guidelines for the proper safety, assembly and operation of this machine.

CARTON CONTENTS

UNPACKING AND CHECKING CONTENTS

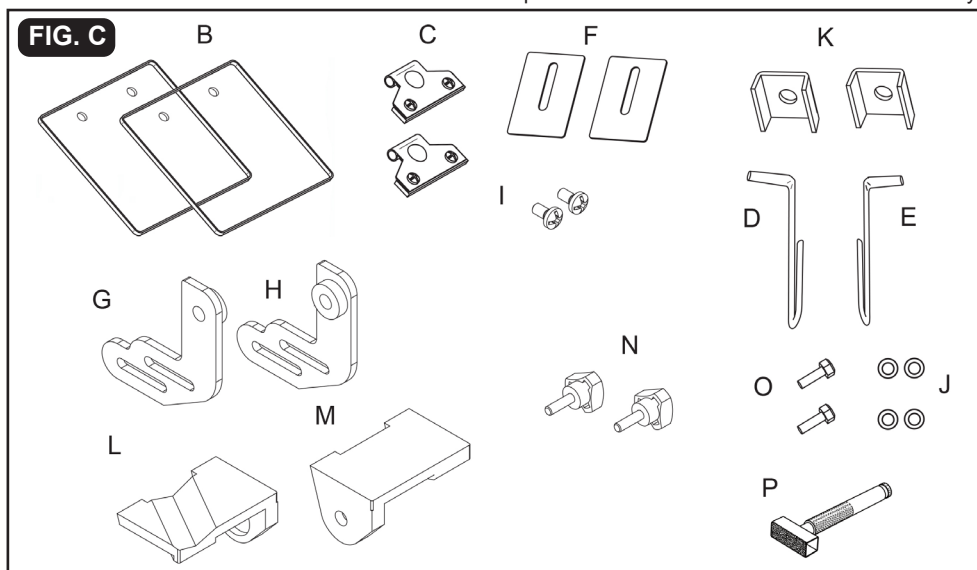
1. Remove parts from all of the cartons and lay them on a clean work surface. Compare the contents with the list of contents to ensure that all of the items are accounted for before discarding any packing material. If any parts are missing or broken, please call RIKON Customer Service (877-884-5167) as soon as possible for replacements. **DO NOT** turn your machine ON if any of these items are missing. You may cause injury to yourself or damage to the machine.

2. Report any shipping damage to your local distributor. Take photographs for any possible insurance claims.

3. Remove any protective materials and coatings from all of the parts and the bench grinder. The protective coatings can be removed by spraying WD-40 on them and wiping it off with a soft cloth. This may need to be redone several times before all of the protective coatings are removed completely. **CAUTION: DO NOT** use acetone, gasoline or lacquer thinner to remove any protective coatings.

4. Set packing material and shipping carton aside. Do not discard until the machine has been set up and is running properly.

WARNING: The Bench Grinder can only be plugged in and turned "ON" after all the parts have been obtained and installed correctly.

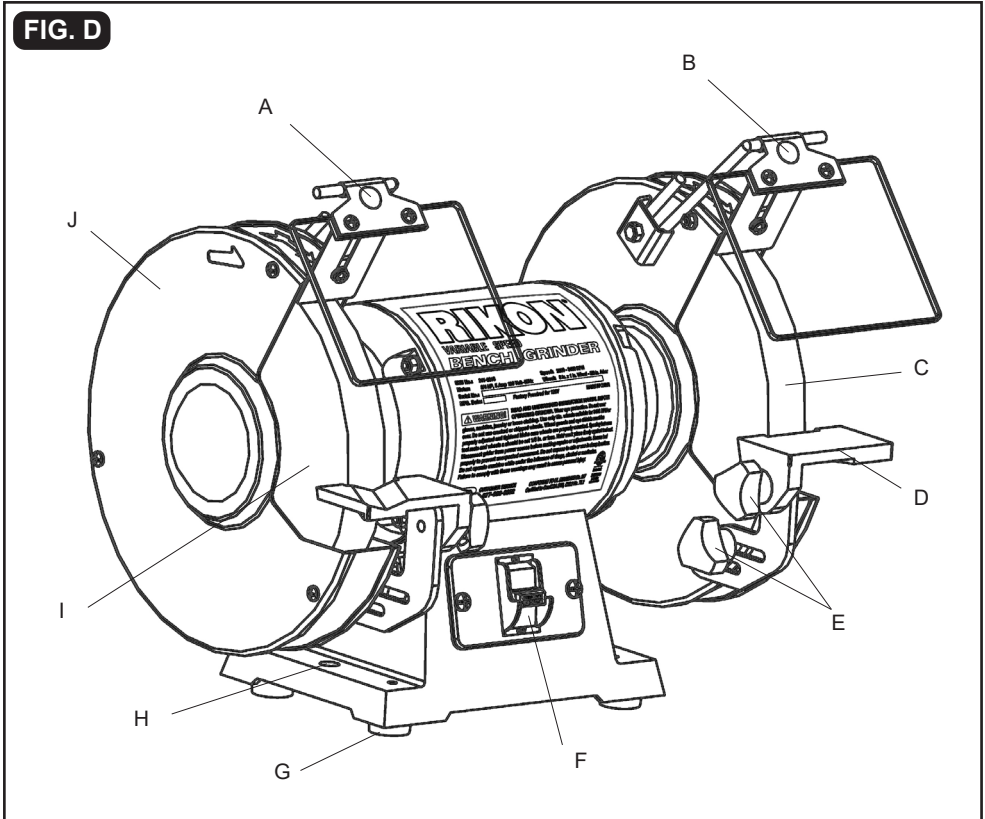


The following items are provided in the shipping box:

- | | |
|-------------------------------------|---|
| A. Grinder (not shown) | I. Pan head screws with washers M5 x 10 (2) |
| B. Eye shields (2) | J. Flat washer M6 (4) |
| C. Eye shield mounting brackets (2) | K. Eye shield mounting brackets (2) |
| D. Eye shield mounting rod, left | L. Tool rest, left |
| E. Eye shield mounting rod, right | M. Tool rest, right |
| F. Spark arrestors, (2) | N. Tool rest knobs (2) |
| G. Tool rest support, left | O. Hex bolts (2) |
| H. Tool rest support, right | P. Wheel dressing tool |

NOTE: Full Parts Diagram and Parts List are listed on pages 16 and 17.

OVERVIEW



80-805 8" LOW SPEED BENCH GRINDER OVERVIEW - FIGURE D

- | | |
|------------------------------------|----------------------------------|
| A. Eyeshield Assembly, Left | F. On/Off Switch w/Removable Key |
| B. Eyeshield Assembly, Right | G. Rubber Foot (x4) |
| C. 8" Grinding Wheel, 60 Grit | H. Mounting Hole (x2) |
| D. Tool Rest (x2) | I. 8" Grinding Wheel, 120 Grit |
| E. Tool Rest Adjustment Knobs (x4) | J. Wheel Cover (x2) |

NOTE: Full Parts Explosion and Parts List are listed on pages 16 and 17.



WARNING: THE MACHINE MUST NOT BE PLUGGED IN AND THE POWER SWITCH MUST BE IN THE OFF POSITION UNTIL ASSEMBLY OF THE PARTS AND ALL ADJUSTMENTS ARE COMPLETE.

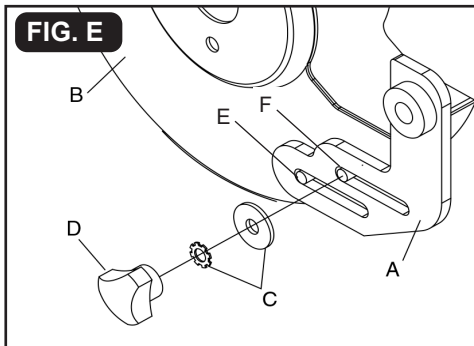
ASSEMBLY INSTRUCTIONS

The Bench Grinder is provided with adjustable left and right positioned two-piece tool rests to lay your workpieces on.

1. **DO NOT** assemble the Bench Grinder until you are sure the tool IS **NOT** plugged in.
2. **DO NOT** assemble the Bench Grinder until you are sure the power switch is in the "OFF" position.
3. **DO NOT** assemble the Bench Grinder until you are sure the grinding wheels are firmly tightened to the Bench Grinder.

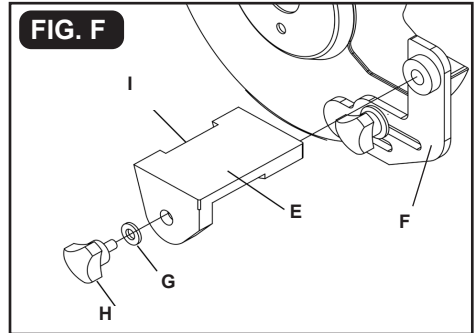
TOOL RESTS (Figs. E and F)

The Bench Grinder is provided with two different Tool Rests assemblies. The Left Side Tool Rest is grooved to accept drill bits. The Right Side Tool Rest is entirely flat.



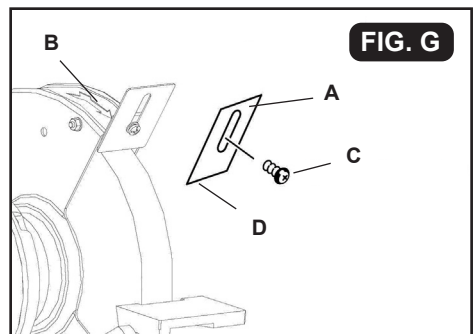
1. Assemble the Tool Rest Supports (A) to the inside surface of the Wheel Covers (B) with the flat and lock washers (C) and knobs (D) as shown. See Figure E.
2. Loosen the knob and remove it and the flat washers from the pre-assembled carriage bolt (F). See Figure E.
3. Mount the Tool Rest Support onto the inside of the wheel cover.
4. The lower channel on the Tool Rest Support fits over the small post (E) that extends out from the wheel cover. See Figure E. The upper channel on the Tool Rest Support is used for positioning the threaded carriage bolts (F) that the washers (C) and knobs (D) screw onto.

5. Assemble the Tool Rests (E) to the Supports (F) with the supplied flat washers (G) and Adjustment Knobs (H) as shown. See Figure F.
6. Adjust each Tool Rest until its inside edge (I) is 1/16" from the grinding wheel. Firmly tighten the knobs holding the supports. See Figure F.



SPARK ARRESTORS (Fig. G)

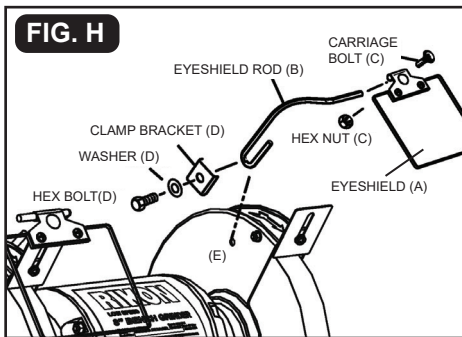
1. Assemble the Spark Arrestors (A) to the front surface of the Wheel Covers (B) with the pan head screws and washers (C) as shown. See Figure G.
2. Adjust each Spark Arrestor until the lower edge (D) is 1/16" from the grinding wheel. Then firmly tighten the pan head screws. See Figure G.
3. As the grinding wheel reduces in size from use, re-adjust the spark arrestors so that their lower edges maintain the safe 1/16" spacing from the wheel.



ASSEMBLY INSTRUCTIONS

EYESHIELDS (Fig. H)

1. Assemble the eyeshields (A) onto the eyeshield rods (B) and secure in place with the carriage bolts and hex nuts (C).
2. Assemble the lower portion of the eyeshield rod (B) to the wheel cover. Assemble the hex bolts through the washers, clamp brackets (D) and lower, curved 'U' portion of the eyeshield rod (B), and screw the hex bolts into the threaded holes on the inside face of the grinding wheel covers (E).



3. The eyeshield should be positioned over the grinding wheel to protect the user against any sparks or debris that may be thrown during use.
4. Adjust the eyeshield rod and eyeshield into the desired position above the grinding wheel, then tighten the hex bolt (D) and carriage bolt (C).

⚠ WARNING:

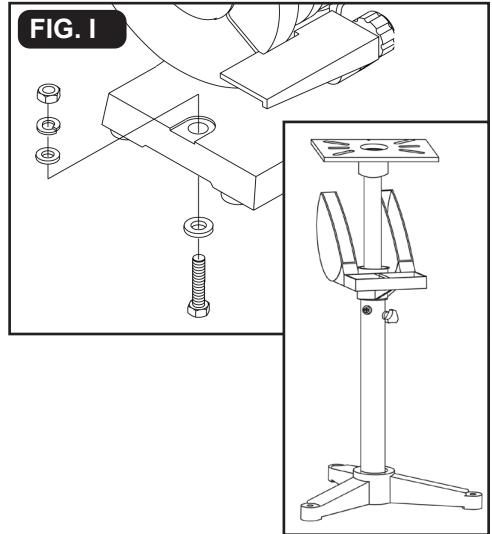
ALWAYS USE THE EYESHIELDS AND WHEEL GUARDS provided with the grinder.

⚠ CAUTION:

ALWAYS WEAR EYE PROTECTION. Everyday eyeglasses are **NOT** safety glasses. **ALWAYS** wear Safety Goggles (that comply with ANSI standard Z87.1) when operating power tools.

PERMANENT MOUNTING (Fig. I)

Use the mounting holes in the base of the grinder to firmly attach grinder to a solid work surface or grinder stand (mounting hardware and stand not included). See Figure I.



⚠ WARNING:

To avoid serious injury, secure the Bench Grinder to a solid work surface. If the Grinder is not permanently mounted to a work surface, and remains portable, the Grinder's base should be temporarily clamped to a table or board/plywood. Make sure that the clamps do not interfere with the tool rests, wheels or hinders the movement of the user and the material being ground during use.

If the Bench Grinder is not securely mounted, it will have the ability to move or tip over during grinding operations and possibly cause the operator's fingers to contact the grinding wheels.

⚠ WARNING:

THE MACHINE MUST NOT BE PLUGGED IN AND THE POWER SWITCH MUST BE IN THE OFF POSITION UNTIL ASSEMBLY OF THE PARTS AND ALL ADJUSTMENTS ARE COMPLETE.

OPERATING THE BENCH GRINDER

The Bench Grinder is designed for hand held grinding, sharpening, and cleaning operations.

CAUTION:

ALWAYS WEAR EYE PROTECTION!

Hot sparks are produced during grinding operations.

GRINDING CHART

<i>Low Speed 1750 RPM</i>
Light Grinding
Sharpening
Rust and paint removal

1. Stand to the side of the Bench Grinder and plug in the power cord to a suitable power source.

2. Remain to the side of the Bench Grinder and turn it "ON" by moving the power switch to the up position.

3. Allow the grinding wheels to come up to a steady speed for at least one minute before any grinding is done.

4. Adjust the eyeshields. Place the workpiece on the appropriate tool rest for the desired operation.

5. Move the workpiece towards the grinding wheel until it lightly touches. Move the workpiece back and forth across the front surface of the grinding wheel removing the amount of material desired.

6. Never force the workpiece against the grinding wheel, especially if the wheel is cold. Apply the workpiece slowly, allowing the grinding wheel an opportunity to warm up. This will minimize the chance of wheel breakage. Do not grind using the sides of the grinding wheels. Do not apply coolant directly to the grinding wheel.

WARNING:

To avoid serious injury, never grind on the sides of the grinding wheels.

SHARPENING DRILL BITS

1. To use the Drill Bit Sharpening tool rest, lay the drill bit flat in the "V" groove. Firmly hold on to the drill bit shank. Slide the drill bit towards the grinding wheel unit until it lightly touches. Keep the drill bit flat to the plate and rotate the drill bit.

2. The operator may place the hot end of the workpiece into water in a quench tray to cool it.

3. After completing the grinding operations, turn "OFF" the Bench Grinder by pushing down on the Power Switch.

CAUTION:

It will take a few minutes for the grinding wheels to come to a complete stop.

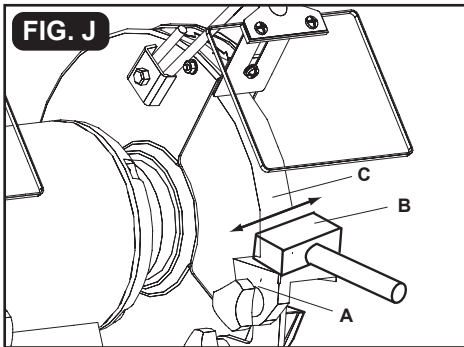
4. Unplug the Bench Grinder from the power source. NOTE: To prevent unauthorized use of the Bench Grinder, the power switch has a removable locking key. With the power switch in the "OFF" position, pull the locking key out. The Bench Grinder cannot be turned "ON" with the key removed. Insert the locking key to resume grinding operations.

Visit RIKON's website at
www.rikontools.com

for information on grinder accessories,
and a complete listing of machines for
all of your woodworking and other
shop needs.

OPERATING THE BENCH GRINDER

USING THE WHEEL DRESSER (Fig. J)

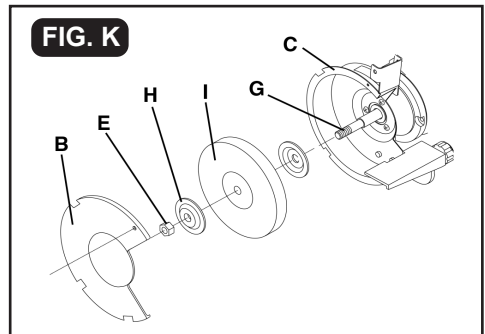


The Wheel Dresser is to be used on the grinding wheels. It will remove buildup up of material on the grinding wheel, remove imperfections and make the corners of the grinding wheel square. See Figure J.

DO NOT use the Wheel Dresser on Wire Wheels (not included) if they are installed on the grinder.

1. Adjust tool rest (A) until it is in the flat horizontal position as shown and 1/16" away from the grinding wheel.
2. Turn "ON" the Bench Grinder. Let the grinding wheel come up to a steady speed for one minute.
3. After the grinding wheel has gotten to a steady speed, place the Wheel Dresser head (B) flat on the Tool Rest.
4. Firmly hold on to the handle of the Wheel Dresser.
5. Move the Wheel Dresser forward until it makes light contact with the grinding wheel (C). After contact has been made, slide the Wheel Dresser side to side across the Tool Rest to dress the grinding wheel until the edges of the grinding wheel are square and the surface is clean.
6. After the dressing the grinding wheel, turn "OFF" the Bench Grinder and let the grinding wheel come to a complete stop. Allow the grinding wheel to cool down for a period of 10 minutes before use.
7. Inspect the grinding wheel for any irregularities that still need to be dressed, or for damage. If there is damage to the wheel (cracks, major chips missing), replace the wheel immediately.
8. The grinding wheel may now be slightly smaller in diameter after dressing. Re-adjust the tool rests and spark arrestors to maintain a 1/16" clearance to the grinding wheel.

CHANGING THE GRINDING WHEEL (Fig. K)



Due to normal wear, both wheels will need to be replaced occasionally.

1. Turn the power switch OFF and unplug the power cord from its power source.
2. Rotate the eyeshield up to access the tool rest.
3. Loosen the tool rest knob and rotate the tool rest away from the grinding wheel.
4. Remove the Wheel Cover (B) by unscrewing the fasteners that hold it in place.
5. Lightly push a wood wedge between the grinding wheel and the guard to keep the shaft from turning. Then use a crescent wrench to remove the arbor hex nut.
6. **NOTE:** The left hand arbor hex nut (E) is left hand threaded and is loosened by rotating it clockwise. The right hand arbor hex nut is right hand threaded and is loosened by rotating it counter-clockwise.

OPERATING THE BENCH GRINDER

(Refer to Fig. K on page 14.)

7. Remove the Outer Wheel Flange (H) and then the abrasive wheel (I) from the arbor shaft (G).

8. **CAUTION:** The new abrasive wheel to be put onto the grinder must have a higher R.P.M. rating than the grinder's motor. The new abrasive wheel must have the correct 8" outer wheel diameter and 5/8" bore diameter as original wheels. The labels on the sides of the abrasive wheel must stay on. **DO NOT** remove these labels. These labels or fiber discs help spread the holding pressure of the tightened nuts on the grinding wheel flanges.

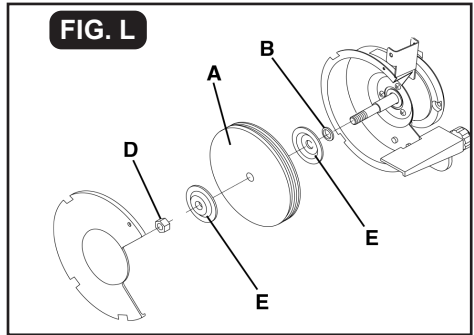
9. Replace the abrasive wheel, outer wheel flange and arbor hex nut. NOTE: The left hand arbor hex nut is left hand threaded and is tightened by rotating it counter-clockwise. The right hand arbor hex nut is right hand threaded and is tightened by rotating it clockwise.

CAUTION: **DO NOT OVER TIGHTEN** the arbor hex nut as this may damage the abrasive wheel, wheel flanges and cause serious injury to the operator.

10. Replace the wheel cover and secure it back in place on the grinder with the fasteners that were previously removed (step 4).

11. Run the new wheel at full speed for a few minutes to ensure that it is rotating properly.

WIRE WHEEL or BUFFING WHEEL (Fig. L)



A wire wheel or buffing wheel (A) (not included) can be used with your grinder. Depending on the thickness of the wheel, you will need to add one or more spacers (not included) to allow the arbor hex nut (D) to tighten correctly. Figure L shows the correct placement of the spacer (B).

Note: Spacer (B) should always go onto the arbor shaft first. Always use the wheel flanges (E) that come with the grinder for both wire wheel and buffing wheels. See section CHANGING THE GRINDING WHEEL for correct procedure of changing wheels. See page 14.

MAINTENANCE OF THE BENCH GRINDER

WARNING:

Turn the power switch "OFF" and unplug the power cord from its power source prior to any maintenance.

LUBRICATION

The Bench Grinder has sealed lubricated bearings in the motor housing that do not require any additional lubrication from the operator.

CLEANING

With the Bench Grinder unplugged, rotate the abrasive wheels slowly and inspect for any damage or trapped debris. Periodically blow areas in and around the grinder to keep the machine and work area clean.

CAUTION: REPLACE the abrasive wheels if there is any damage at all. **FAILURE** to replace a damaged wheel can cause serious injury to the operator. Periodically check all nuts and fasteners to make sure that they are secure.

CAUTION: DO NOT USE FLAMMABLE MATERIALS to clean the Bench Grinder. A clean dry rag or brush is all that is needed to remove dust and debris buildup.

WARNING:

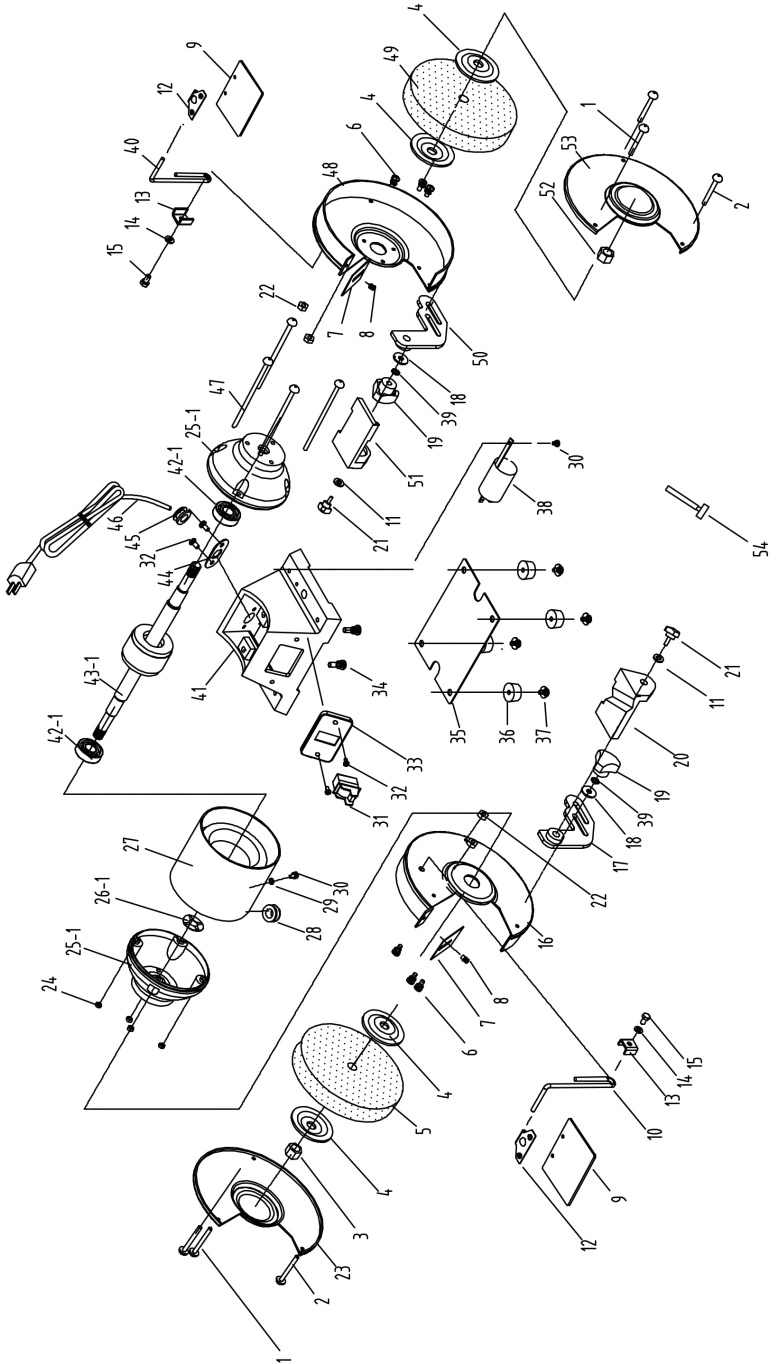
Repairs to the Bench Grinder should be performed by trained personnel only. Unauthorized repairs or replacement with non-factory parts could cause serious injury to the operator and damage to the Bench Grinder.

PARTS EXPLOSION

80-805 8" LOW SPEED BENCH GRINDER

NOTE: Please reference the Manufacturer's Part Number when calling for Replacement Parts.

For Parts under Warranty, the Serial Number of your machine is required.



PARTS LIST

KEY NO.	DESCRIPTION	QTY	MFG. PART NO.	KEY NO.	DESCRIPTION	QTY	MFG. PART NO.
1	Phillips Head Screw M5x48	4	P80-805-1	28	Power Cord Bushing	1	P80-805-28
2	Carriage Bolt M5x51	2	P80-805-2	29	Toothed Washer D4	1	P80-805-29
3	Wheel Hexagon Nut - LH M16	1	P80-805-3	30	Phillips Hd Scr+Spring Wash+Fit Wash M4x8	2	P80-805-30
4	Flange	4	P80-805-4	31	ON/OFF Switch with Safety Lock	1	P80-805-31
5	Grinding Wheel 120 Grit 8"x1"x5/8"	1	P80-805-5	32	Phillips Head Screw M5x8	4	P80-805-32
6	Phillips Hd Screw + Spring Washer M5x10	6	P80-805-6	33	Switch Plate	1	P80-805-33
7	Spark Arrestor	2	P80-805-7	34	Hex Head Bolt + Spring Washer M8x22	2	P80-805-34
8	Phillips Hd Scr+Spr Wash+Flat Wash M5x10	2	P80-805-8	35	Bottom Base Cover	1	P80-805-35
9	Left EYESHIELD	2	P80-805-9	36	Rubber Foot	4	P80-805-36
10	Left EYESHIELD Mounting Rod	1	P80-805-10	37	Phillips Head Screw + Flat Washer M5x16	4	P80-805-37
11	Flat Washer - washer 6	2	P80-805-11	38	Capacitor	1	P80-805-38
12	EYESHIELD Mounting Plate Assembly - #2	2	P80-805-12	39	Spring Washer D5	2	P80-805-39
13	EYESHIELD Mounting Rod Holder - #2	2	P80-805-13	40	Right EYESHIELD Mounting Rod	1	P80-805-40
14	Flat Washer - washer 6	2	P80-805-14	41	Motor Base	1	P80-805-41
15	Hex Head Bolt M6x14	2	P80-805-15	42-1	Bearing 6204	2	P80-805-42-1
16	Left Inner Wheel Guard Cover	1	P80-805-16	43-1	Shaft & Rotor Assembly	1	P80-805-43-1
17	Left Tool Rest Support	1	P80-805-17	44	Clip Plate	1	P80-805-44
18	Flat Washer - washer 5	2	P80-805-18	45	Power Cord Strain Relief	1	P80-805-45
19	Tool Rest Support Locking Knob	2	P80-805-19	46	Power Cord	1	P80-805-46
20	Left Tool Rest w/Drill Sharpening Groove	1	P80-805-20	47	Phillips Head Screw + Flat Washer M5x148	4	P80-805-47
21	Tool Rest Locking Knob	2	P80-805-21	48	Right Inner Wheel Guard Cover	1	P80-805-48
22	Hexagon Washer Nut (Black) M5	4	P80-805-22	49	Grinding Wheel 60 Grit 8"x1"x5/8"	1	P80-805-49
23	Left Outer Wheel Guard Cover	1	P80-805-23	50	Right Tool Rest Support	1	P80-805-50
24	Hexagon Washer Nut (white) M5	4	P80-805-24	51	Right Tool Rest	1	P80-805-51
25-1	Motor End Cover	2	P80-805-25-1	52	Wheel Hexagon Nut - RH M16	1	P80-805-52
26-1	Wavy Washer D40	1	P80-805-26-1	53	Right Outer Wheel Guard Cover	1	P80-805-53
27	Motor Housing	1	P80-805-27	54	Wheel Dressing Tool	1	P80-805-54

NOTE: Please reference the Manufacturer's Part Number when calling for Replacement Parts.

For Parts under Warranty, the Serial Number of your machine is required.

TROUBLESHOOTING

TO PREVENT INJURY TO YOURSELF or damage to the Bench Grinder, turn the switch to the “OFF” position and unplug the power cord from the electrical receptacle before making any adjustments.

PROBLEM	LIKELY CAUSE(S)	SOLUTION(S)
Motor does not run	<ol style="list-style-type: none"> 1. Machine not plugged in 2. Power switch in “OFF” position 3. Power switch or cord is faulty 4. Fuse or circuit breaker are open 5. Material wedged between wheel and tool rest or guard 	<ol style="list-style-type: none"> 1. Plug power cord into electrical receptacle 2. Lift switch to “ON” position 3. Replace switch or power cord 4. Overloaded electrical circuit 5. Turn grinder off, unplug power cord and remove material
Motor does not have full power	<ol style="list-style-type: none"> 1. Incorrect line voltage 2. Motor capacitor has failed 	<ol style="list-style-type: none"> 1. Have a qualified electrician check circuit for proper voltage 2. Replace motor capacitor
Motor runs hot	<ol style="list-style-type: none"> 1. Motor is overloaded 2. Poor air circulation around motor 3. Overuse in high ambient temperature room 	<ol style="list-style-type: none"> 1. Reduce pressure on workpiece 2. Remove any blockage around motor 3. Reduce runtime to 20 minutes or less
Motor stalls or runs slow	<ol style="list-style-type: none"> 1. Motor is overloaded 2. Incorrect line voltage 3. Motor capacitor has failed 	<ol style="list-style-type: none"> 1. Reduce pressure on workpiece 2. Have a qualified electrician check circuit for proper voltage 3. Replace motor capacitor
Fuses blow or circuit breaker trips	<ol style="list-style-type: none"> 1. Motor is overloaded 2. Overloaded electrical circuit 3. Undersized fuse or circuit breaker 4. Defective cord, plug or switch creating a short circuit 5. Undersized or excessive length of extension cord, see page 8 6. Material wedged between wheel and tool rest or guard 	<ol style="list-style-type: none"> 1. Reduce pressure on workpiece 2. Reduce the amount of items on circuit 3. Replace with correct fuse or circuit breaker 4. Replace with new parts 5. Use correct size and length of extension cord 6. Turn grinder off, unplug power cord and remove material

CORRECTING EXCESSIVE WHEEL WOBBLE

The performance of your bench grinder can be improved with just a little time performing a few simple tune-up steps. Make sure the grinder is always unplugged during any adjustment or wheel changes.

The stamped steel flange washers may not run perfectly true and can be adjusted by making a reference mark on each flange washer and the wheel to record their original location. Next, loosen the shaft nut and slightly rotate one flange washer clockwise and the other counterclockwise.

These movements should only be about one-half an inch at a time; then snug up the shaft nut by hand and spin the wheel by hand. Observe any change. This rotation should minimize any oscillation caused by flange washers. Now re-tighten the shaft nuts and dress the wheel. The center bushings supplied by aftermarket grinding wheel manufacturers are designed to roughly center the wheel on the shaft. The flange washers hold the wheel; dressing with a wheel dresser will make the wheel run true.

If adjusting the flange washers does not make the wheel run without side-to-side oscillation, then remove the wheel and flange washers and check the shoulder on the motor shaft at the point where the flange washer seats against it. A slight burr on the edge of the shoulder can stop the flange washer from seating properly. This can be removed by using a file to smooth the edge of the shoulder. Look for any roughness on the surfaces of the flange washers and smooth these spots on sandpaper placed on a flat surface. Then replace the wheel, re-adjust the flange washers, and dress the wheel.

WARRANTY

RIKON[®] **POWER TOOLS**

5-Year Limited Warranty

RIKON Power Tools Inc. ("Seller") warrants to only the original retail consumer/purchaser of our products that each product be free from defects in materials and workmanship for a period of five (5) years from the date the product was purchased at retail. This warranty may not be transferred.

This warranty does not apply to defects due directly or indirectly to misuse, abuse, negligence, accidents, repairs, alterations, lack of maintenance or normal wear and tear. Under no circumstances will Seller be liable for incidental or consequential damages resulting from defective products. All other warranties, expressed or implied, whether of merchantability, fitness for purpose, or otherwise are expressly disclaimed by Seller. This warranty does not cover products used for commercial, industrial or educational purposes.

This limited warranty does not apply to accessory items such as blades, drill bits, sanding discs, grinding wheels or belts and other related items.

Seller shall in no event be liable for death, injuries to persons or property, or for incidental, contingent, special, or consequential damages arising from the use of our products.

To take advantage of this warranty proof of purchase documentation, which includes date of purchase and an explanation of the complaint, must be provided.

The Seller reserves the right to effect at any time, without prior notice, those alterations to parts, fittings, and accessory equipment which they may deem necessary for any reason whatsoever.

To register your machine on line, visit RIKON at www.rikontools.com/warranty

To take advantage of this warranty, or if you have any questions, please contact us at 877-884-5167 or email warranty@rikontools.com



For more information:
16 Progress Road
Billerica, MA 01821

877-884-5167 / 978-528-5380
techsupport@rikontools.com