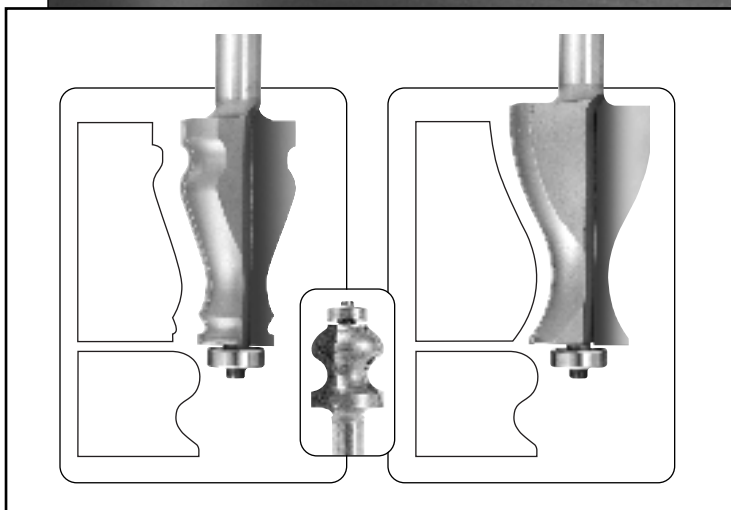
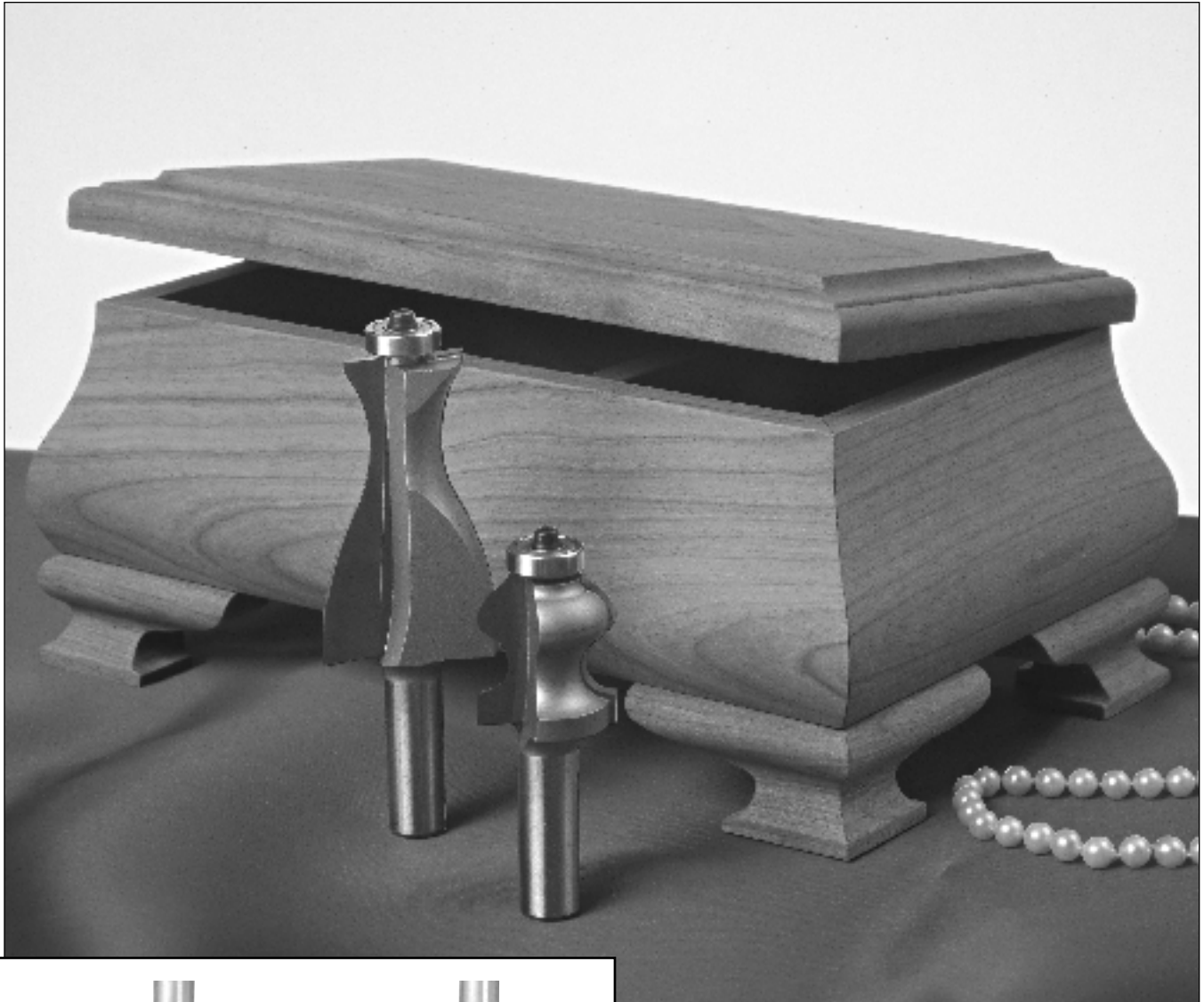


Box Side Router Bits



***Perfect for making
music, keepsake and
jewelry boxes***

PROJECT: Keepsake Box Instructions
Box Side Router Bits - © Copyright 2008

WH 0803

KEEPSAKE BOX INSTRUCTIONS

READ ALL INSTRUCTIONS AND DIAGRAMS CAREFULLY BEFORE STARTING PROJECT

Suggested Bits:

- Box Side Bit 175-1405 (use 3/4" stock)
175-1425 (use 3/4" stock)
- Ogee Foot Bit 175-1105 (first choice)
175-1135 (option - smaller size)
- Box Lid Bit Many choices, see Door Edge
and Table Top Profiles
- Rabbet Bit 1/4" x 1/4" (a straight bit could be substituted)

Other Items Needed:

- Scroll Saw
- 5/64" Drill Bit
- 3/32" Drill Bit
- 3/16" Drill Bit
- Planer
- Chisel
- Glue
- Sandpaper
- Finishing Product

<i>Piece</i>	<i>Qty.</i>	<i>Dimensions</i>	<i>Procedures, Tools and Bits</i>
Rough Stock	1	6' x 6" x 4/4"	Plane to 3/4" for "A" box.
Box Sides and Feet	1	6" x 40"	From 3/4" or 7/8" planed stock, cut off 40" length. Rout box sides and feet profiles per drawing. (Suggest four passes with last pass 1/64" or less) <i>Figure #1</i>
Box Sides			Rip off box sides from 40" run per routing diagram, <i>Figure #1</i> . Run 1/4" x 1/4" rabbet as per routing diagram, <i>Figure #2</i> .
Box Sides	4	2 @ 10" / 2 @ 6-3/4"	Rough cut the front, back and side pieces.
Box Sides	4	2 @ 9-1/4" / 2 @ 5-3/4"	Carefully miter the box sides to finished length. Dry fit sides and check for squareness and miter fit. Glue box together.
Feet	1		Rip off the rounded profile of the feet from the original board as per routing diagram, <i>Figure #1</i> .
Feet	4		Cut above board into four 6" lengths. Miter each end with a 45° angle. Lay out the foot detail with foot profile template and cut out using scroll saw, see drawing, <i>Figure #3</i> . Sand and glue the pieces to make the four feet. Do not mount to box until bottom is in place.
Top	1		From remainder of 6' x 6" material, plane stock down to 5/8" or 3/4" thickness depending on edge profile used. Ensure enough thickness for hinge mortise and 3/8" screw length.
Top			Set top on box and cut to desired size. We suggest a 3/16" overhang on all four sides. Route top using desired profile.
Bottom	1		From remainder of stock, plane a piece to 3/16" thick. (A 3/16" bottom makes a nice sounding board when adding a music movement) Cut to fit into rabbeted section of sides leaving a 1/16" gap for seasonal change in wood. Tack or glue bottom into position.
Feet	4		You can now glue feet to bottom of box.
Music Movement	1		See separate page for mounting instructions, <i>Figure #5</i> .
Divider	1		From scrap stock plane a piece of 3/8" stock to be used for compartment divider. Rip about 1/8" less than box depth and install 1/8" away from music movement. See <i>Figure #2</i> .
Hinges	Pair		Mortise hinge pockets on both the box and lid. We suggest a 5/64" pilot drill for screws. Wax serves well for screw lubricant, <i>Figure #4</i> .
Chain Stop	1		Install Chain Stop, <i>Figure #4</i> .
Finish			Sand and finish your box with your favorite finishing products.

Optional

KEEPSAKE BOX INSTRUCTIONS

Figure #1



BIT "A"

175-1405

Rip Here

Rip Here

Rip Here



BIT "B"

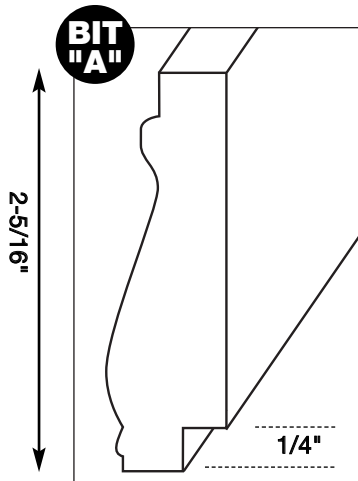
175-1415

Rip Here

Rip Here

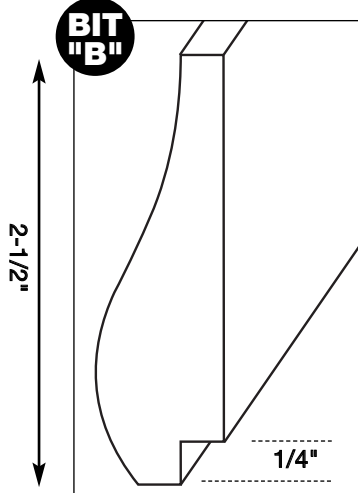
Rip Here

Figure #2



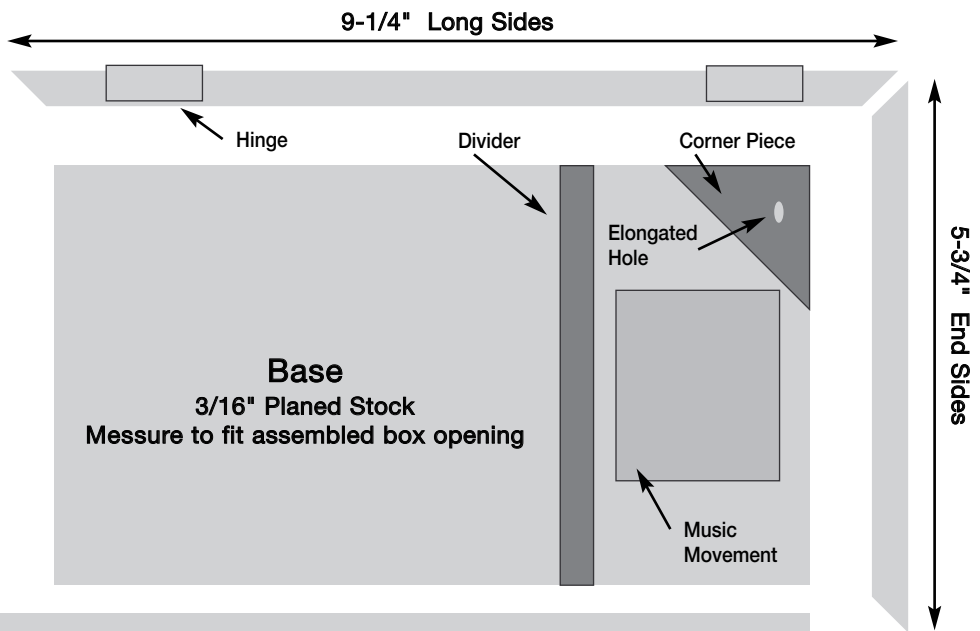
2-5/16"

1/4"



2-1/2"

1/4"



9-1/4" Long Sides

5-3/4" End Sides

Base
 3/16" Planed Stock
 Measure to fit assembled box opening

TOP
 3/4" or 5/8" Planed Stock
 Suggested Size 8-5/8" x 5-1/16"
 Size can vary depending on lip profile used

KEEPSAKE BOX INSTRUCTIONS

Figure #3

Foot Profile Template:

Use this template to produce the ogee foot Detail.

Suggestion: Use a Reverse Skip Tooth Precision Ground style scroll saw blade because it will easily cut the tight detail of the foot's profile.

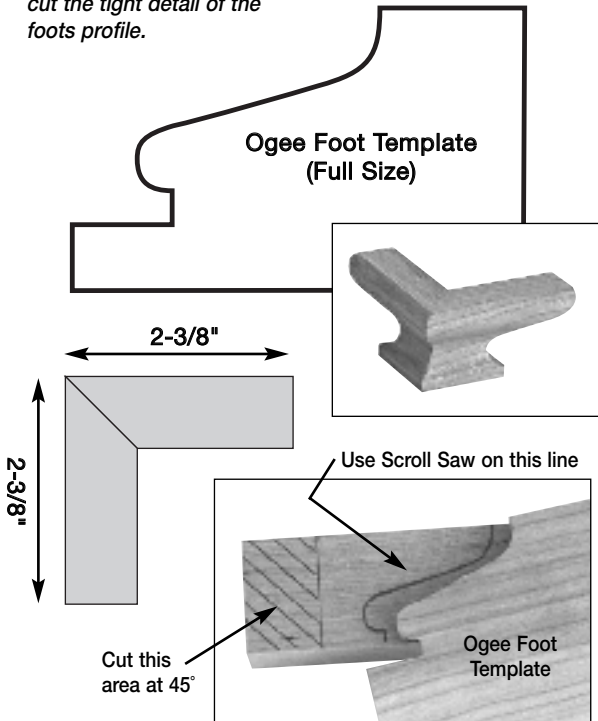


Figure #4

Hinge and Chain Stop:

The hinges are placed 1" from boxes edge. Mortising allows the box lid to sit flat on the top rim.

The Chain Stop is placed 2" from box corner.

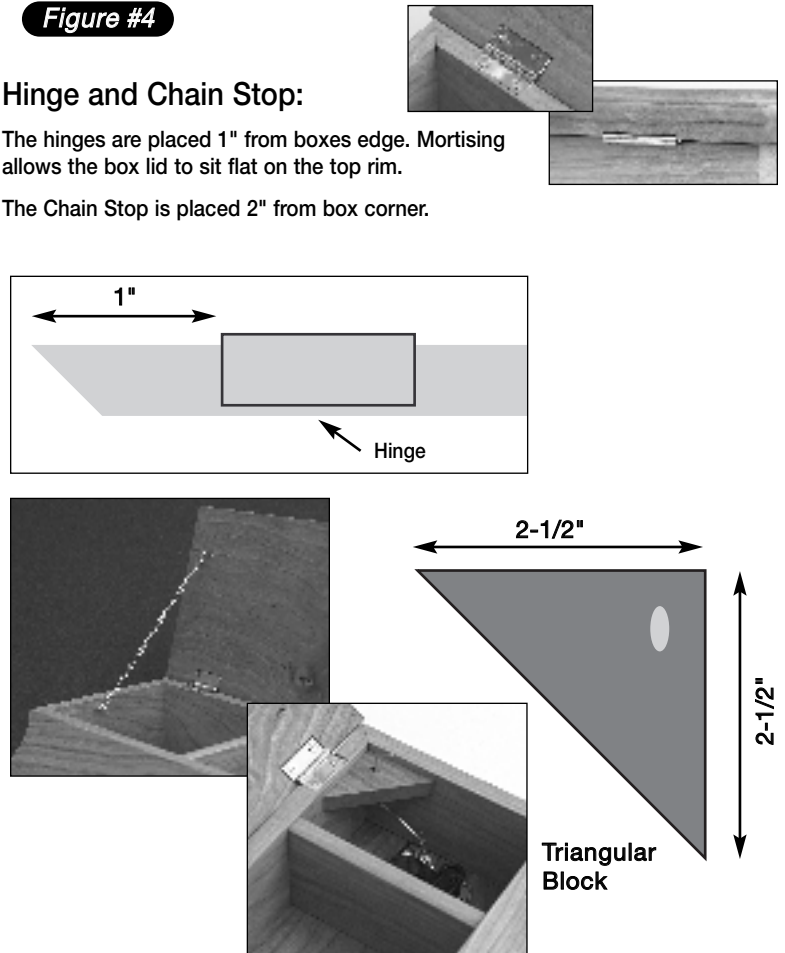


Figure #5

Mounting Music Box Movement:

Remove music box movement from plastic shipping case. Also remove plastic base. Install brass control arm to music movement by loosening screw shown. **Do not remove screw!** Slip control arm under screw and tighten screw. Set mechanism into right hand side of music box and position it so that the horizontal arm when held down is about 3/8" x 3/8" from right rear corner. Push box down firmly enough so that the wind up mechanism will mark the hole location. Drill a 1/4" hole. Set movement into box and install wind up crank. Use an awl to mark position for mounting screw holes. Drill 3/16" screw holes. After music movement is installed, the triangular control arm guide block can be installed. Make a triangular block from scrap 3/8" thick wood. Drill a 3/32" elongated hole approximately 3/8" from corner as shown in diagram. Glue block about 1/4" from top edge of box, feeding control arm thru block. Bend and cut control arm to size.

