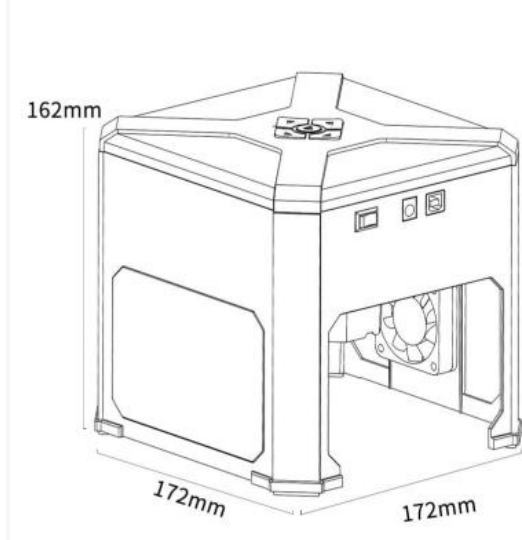




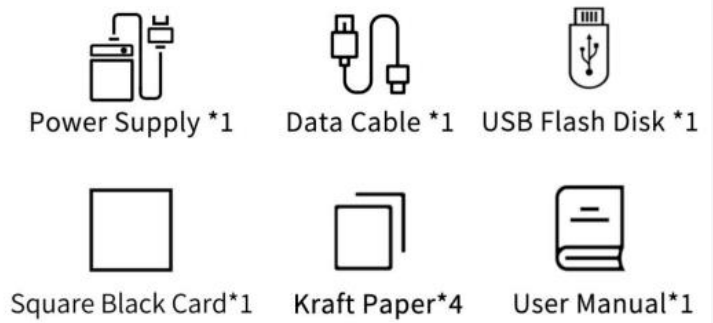
Wainlux K6 Quick Start Guide

Before You Begin

- Ensure that all parts are included in the box.



Detail of accessories



Software Setup

- Open your app store and download the "Engraver" app specific to your smartphone's platform.



- Turn on Bluetooth on your Smartphone.
- In the top right corner of the app, it may say "not connected." Press on it and select your engraver from the list of available devices.



Wainlux K6 Quick Start Guide

Using the App:

- Click the "Text" button on the bottom left of the app.



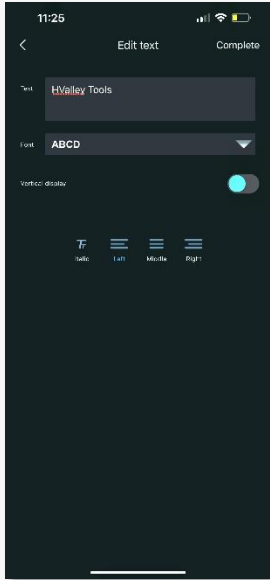
- You will now be on the "Sculpted Scenes" screen and click on the Text button.



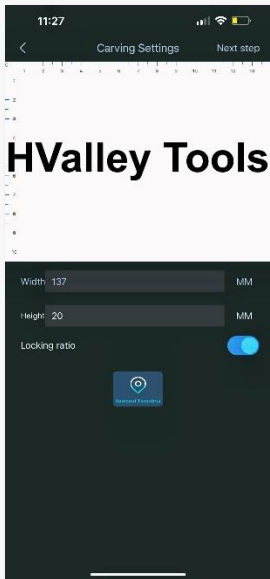


Wainlux K6 Quick Start Guide

- The "Edit Text" screen should now be displayed. Type your desired message and select your preferred font.



- Choose whether you would like a solid fill or a skeleton engraving.
- Next, you will be on the "Carving Settings" screen. Select the size you prefer and click "Next Step."



- On the last screen, "Parameter Settings," choose your desired material, ensuring you have selected the 10w laser option.
- Select your laser power, carving speed, and the number of repetitions.



Wainlux K6 Quick Start Guide

Safety Precautions

- Please make sure to follow all safety guidelines and instructions provided in the user manual for the Wainlux K6 laser engraver to ensure safe and successful operation.
- Put on your green laser safety glasses to protect your eyes from the laser light.

Engraving

- Press the "Regional Targeting" button in the app. The laser should now move and display where it is going to engrave on your workpiece.



- Position the laser so that it is right where you want it to start engraving.
- Start the engraving process in the app. Data will transfer from your phone to the laser, and it will begin engraving your workpiece.





Wainlux K6 Quick Start Guide

Final Thoughts

Remember, there are no “set in stone” settings for engraving!

- We recommend you experiment with scrap material before engraving a prized piece!
- Once you are comfortable with the operation of the app and laser, create “cut boards” with different combinations of laser power and speeds for future reference.

Should you have any further questions, please contact Product Support at HValley Tools!

Enjoy!